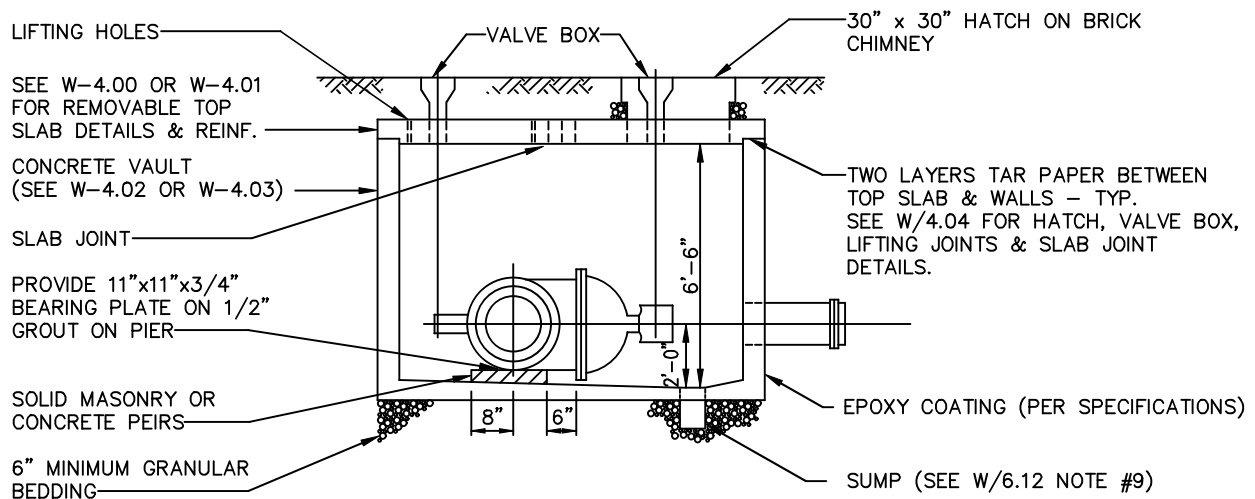


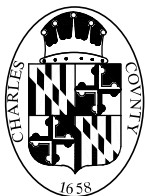
PLAN-TOP SLAB REMOVED



SECTION

NOTE:

VAULTS FOR ELECTRICALLY OPERATED VALVES SHALL BE BUILT WATERTIGHT AND REQUIRE A SUMP PUMP AND FLOOD ALARM CONNECTED TO SCADA. SUBMIT DETAILS FOR REVIEW.



CHARLES COUNTY GOVERNMENT

DEPARTMENT OF PLANNING & GROWTH MANAGEMENT

APPROVED:

Raymond N. Shumaker, Jr.
Raymond N. Shumaker, Jr. (Oct 5, 2022 12:20 EDT)
 CHIEF OF CODES, PERMITS, &
 INSPECTION SERVICES

DATE

Oct 5, 2022

PROFESSIONAL ENGINEER

DATE

STANDARD DETAIL

VALVE INSTALLATION
 FOR 16" & LARGER

W

3.03

REVISIONS:

JUNE 1995

SEPTEMBER 2022