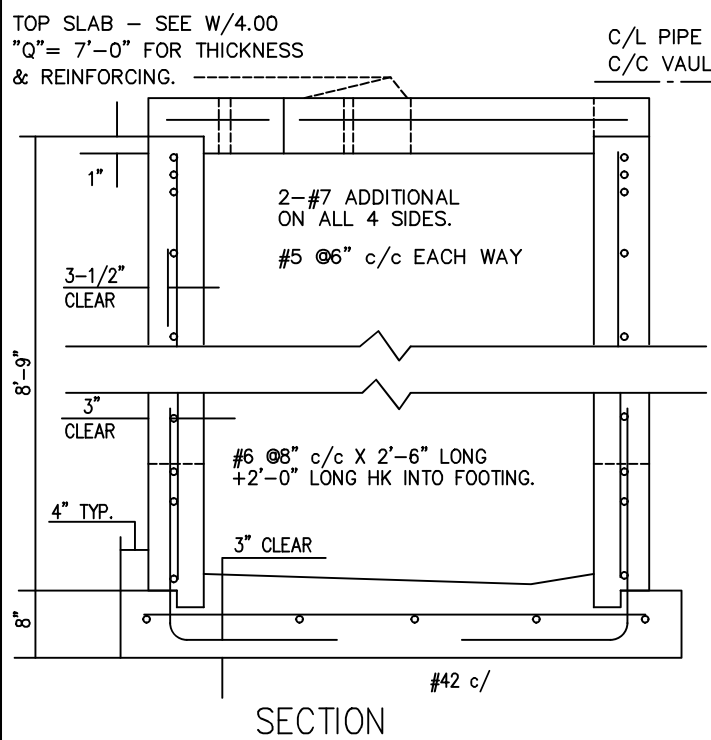
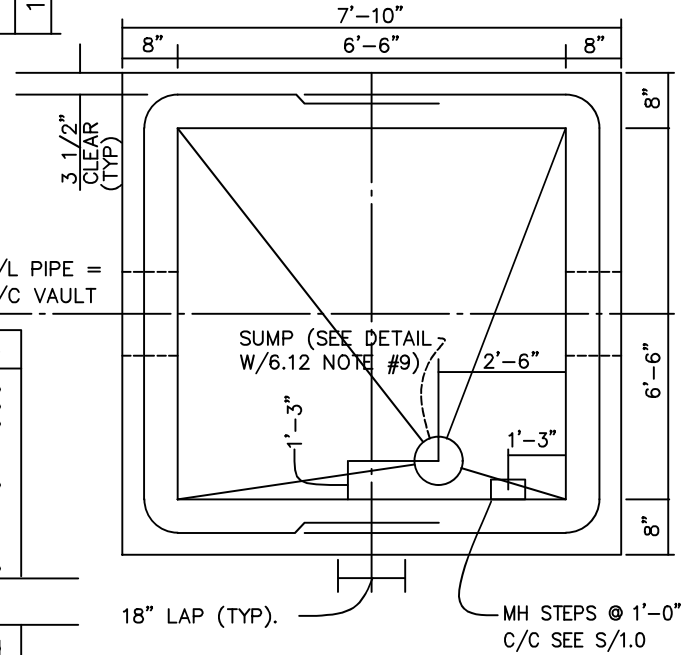


FOR DETAILS NOT SHOWN SEE W/3.06

FOR ADDITIONAL NOTES, SEE DETAIL W/3.05 NOTES (1) THRU (4).

VAULTS FOR ELECTRICALLY OPERATED VALVES SHALL BE BUILT WATERTIGHT AND REQUIRE A SUMP PUMP AND FLOOD ALARM CONNECTED TO SCADA. SUBMIT DETAILS FOR REVIEW.

HOLES FOR VALVE BOXES - SEE W/4.04



ADD. #5 X 5'-0" LONG ALL 4 SIDES OF PIPE PASSING THRU WALLS.

PROVIDE 1 1/2" X 3 1/2" KEY (TYP).

CHARLES COUNTY GOVERNMENT
 DEPARTMENT OF PLANNING & GROWTH MANAGEMENT

APPROVED: *Raymond N. Shumaker, Jr.* Oct 5, 2022
Raymond N. Shumaker, Jr. (Oct 5, 2022 12:20 EDT)

H.B.M. Oct 5, 2022
PROFESSIONAL ENGINEER

DATE

STANDARD DETAIL

CAST IN PLACE CONCRETE VAULT FOR 16" & 20" VERTICAL VALVES

W 3.07
REVISIONS: JUNE 1995 SEPTEMBER 2022