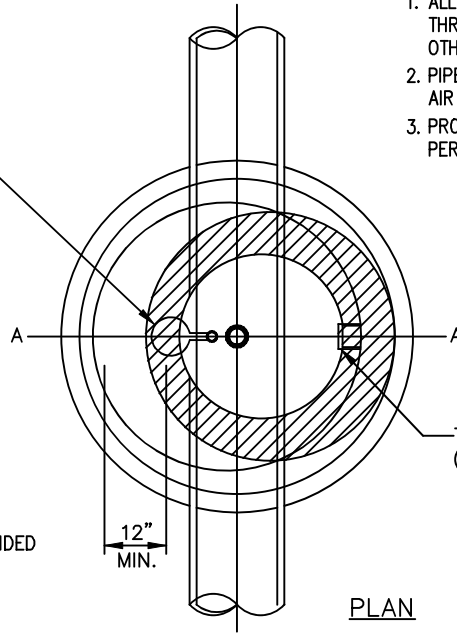


NOTES:

1. ALL FITTING BELOW AIR VALVE TO BE HEAVY DUTY THREADED UNPOLISHED BRASS UNLESS NOTED OTHERWISE.
2. PIPE TAP & ANGLE VALVE TO BE SAME SIZE AS AIR VALVE (2").
3. PROVIDE GRANULAR BEDDING UNDER MANHOLE PER S-1.00.
4. VENT BOX TO BE INSTALLED OUTSIDE OF TRAVELED AREAS.

2" AIR RELEASE VALVE

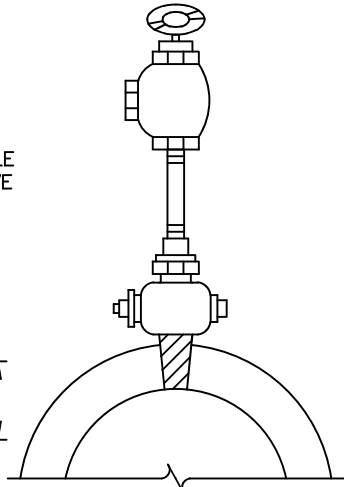
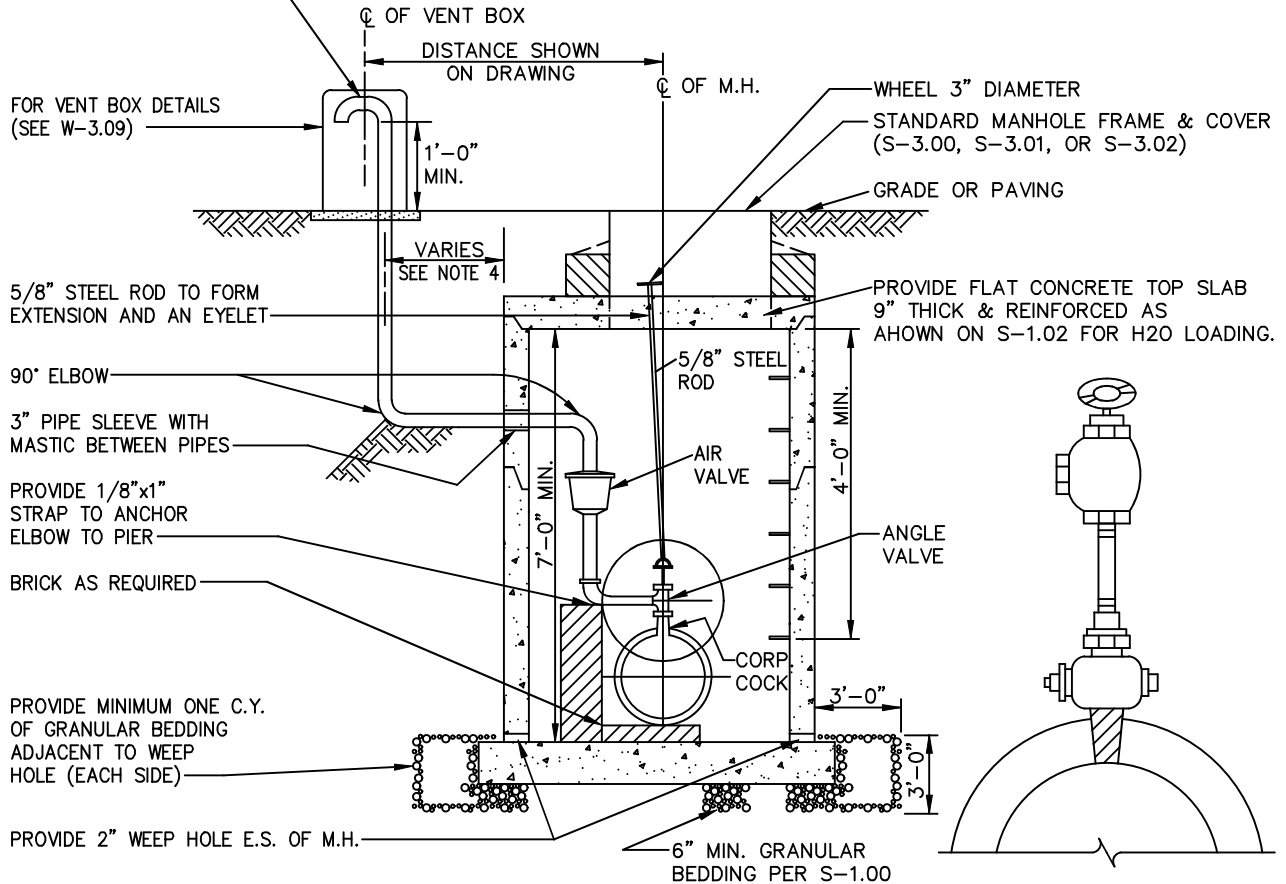


TYPICAL MANHOLE STEPS (SEE S-1.00)

2" Ø PVC PIPE, SCH. 40 EXTENDED AIR RELEASE PIPE (TYP.)

12" MIN.

PLAN



CHARLES COUNTY GOVERNMENT

DEPARTMENT OF PLANNING & GROWTH MANAGEMENT

APPROVED:

*Raymond N. Shumaker, Jr.*  
Raymond N. Shumaker, Jr. (Oct 5, 2022 12:20 EDT)  
 CHIEF OF CODES, PERMITS, &  
 INSPECTION SERVICES

Oct 5, 2022

DATE

Oct 5, 2022

DATE

PROFESSIONAL ENGINEER

STANDARD DETAIL

AIR VALVE IN  
 MANHOLE FOR 24" Ø  
 & SMALLER PIPE

W

3.08

REVISIONS:

JUNE 1995

SEPTEMBER 2022



1658