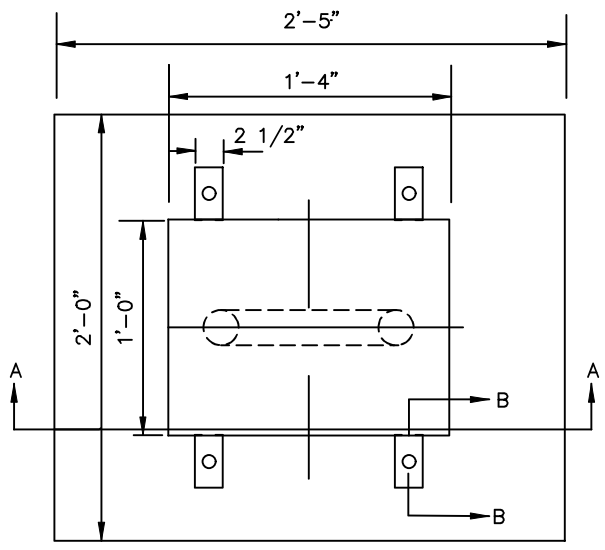
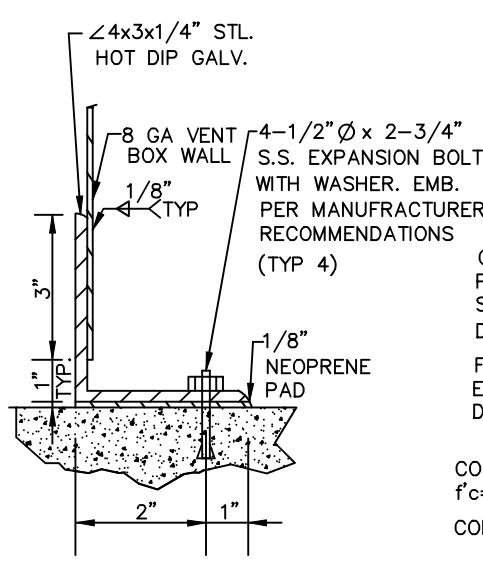


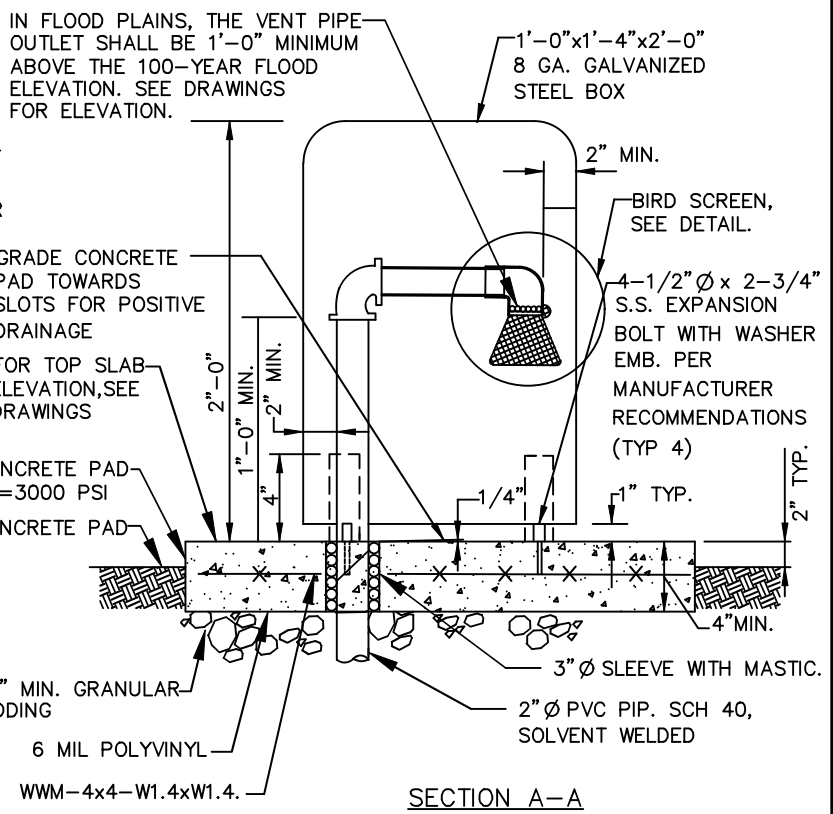
BIRD SCREEN DETAIL



PLAN



SECTION B-B



SECTION A-A

- NOTES:**
1. ALL METAL FABRICATION SHALL BE DONE IN ACCORDANCE WITH SPECIFICATIONS.
 2. ALL WELDED JOINTS SHALL BE CONTINUOUS COMPLETE PENETRATION WELDS UNLESS OTHERWISE NOTED.
 3. THE BOX ASSEMBLY SHALL BE HOT DIP GALVANIZED AFTER FABRICATION.



CHARLES COUNTY GOVERNMENT
 DEPARTMENT OF PLANNING & GROWTH MANAGEMENT
 APPROVED: Raymond N. Shumaker, Jr. Oct 5, 2022
Raymond N. Shumaker, Jr. (Oct 5, 2022 12:20 EDT)
 CHIEF OF CODES, PERMITS, & INSPECTION SERVICES
 DATE
 Oct 5, 2022
 PROFESSIONAL ENGINEER DATE

STANDARD DETAIL
 VENT BOX FOR EXTENDED AIR RELEASE PIPE

W
3.09
REVISIONS:
JUNE 1995
SEPTEMBER 2022