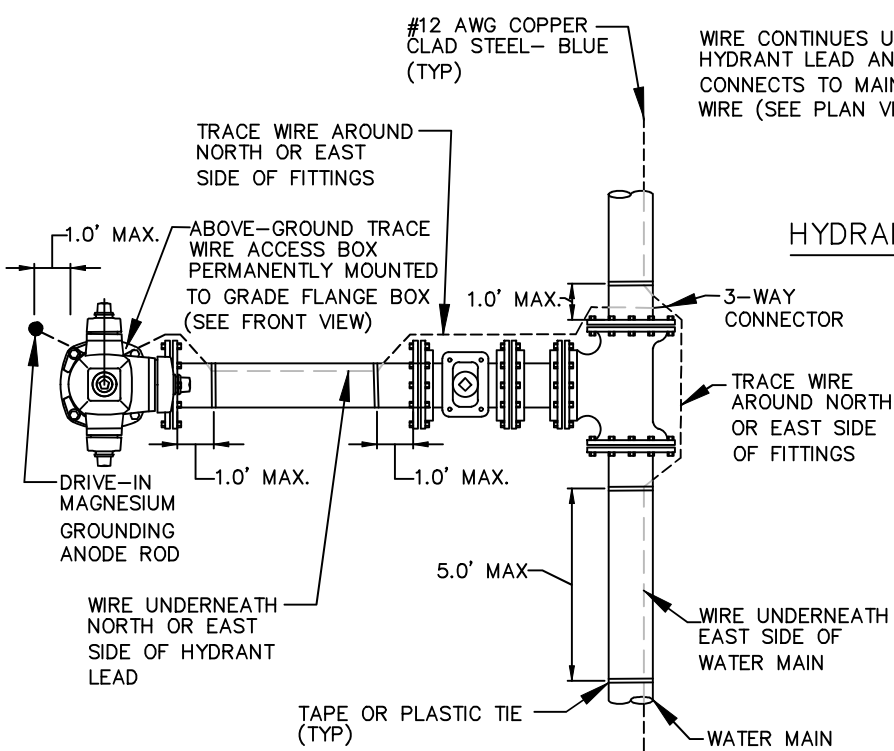


HYDRANT – SECTION VIEW
NOT TO SCALE



HYDRANT – PLAN VIEW
NOT TO SCALE



CHARLES COUNTY GOVERNMENT
 DEPARTMENT OF PLANNING & GROWTH MANAGEMENT
 APPROVED: Raymond N. Shumaker, Jr. Oct 5, 2022
Raymond N. Shumaker, Jr. (Oct 5, 2022 12:20 EDT)
 CHIEF OF CODES, PERMITS, & INSPECTION SERVICES DATE
 Oct 5, 2022
 PROFESSIONAL ENGINEER DATE

STANDARD DETAIL

 TRACER WIRE
 HYDRANT DETAIL

W
3.12
REVISIONS: