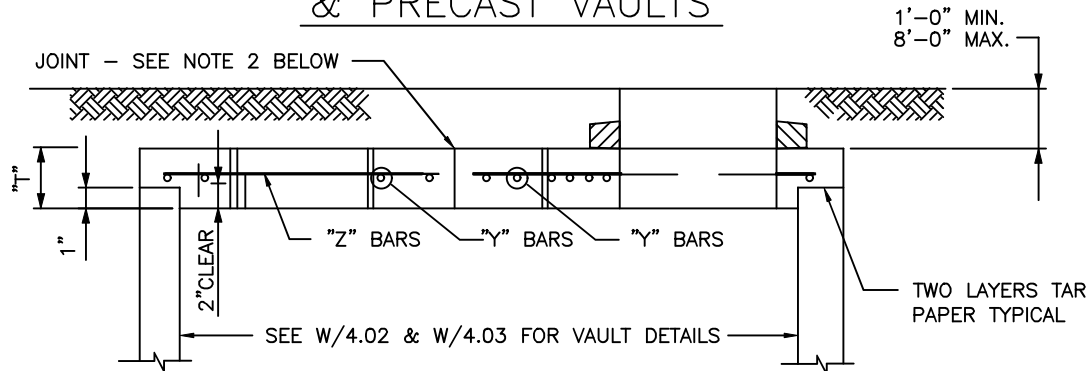


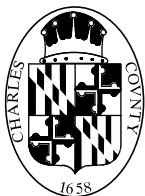
PLAN VIEW: TOP SLAB FOR CAST IN PLACE
& PRECAST VAULTS



SECTION A - A

NOTES:

1. FOR PRECAST & CAST IN PLACE CONCRETE TOP SLAB THICKNESS & REINFORCING SEE W/4.00
2. FOR JOINT, LIFTING HOLE & HATCH DETAILS SEE W/4.04
3. IF VAULT OPENING LOCATED IN A STREET, PROVIDE 30" O OPENING IN TOP SLAB IN LIEU OF 30" SQUARE OPENING.
4. 8" W/CHECK VALVE & 10" FM METERS SHALL HAVE TOP SLAB IN THREE PIECES. SECTION W/ HATCH SHALL BE 5'-3". THE TWO REMAINING SECTIONS SHALL BE EQUAL.
5. PRESSURE REDUCING VALVE VAULT TOP SLABS SHALL BE DESIGNED WITH ADDITIONAL OPENINGS SO THAT THE PRV'S CAN BE REMOVED WITHOUT REMOVING THE TOP SLAB SEE CHARLES COUNTY DESIGN MANUAL FOR ADDITIONAL INFORMATION.
6. H-20 HATCH LOADING REQUIRED IF LOCATED IN STREET.



CHARLES COUNTY GOVERNMENT

DEPARTMENT OF PLANNING & GROWTH MANAGEMENT

APPROVED:

Raymond N. Shumaker, Jr.
Raymond N. Shumaker, Jr. (Oct 5, 2022 12:20 EDT)

Oct 5, 2022

CHIEF OF CODES, PERMITS, &
INSPECTION SERVICES

DATE

Oct 5, 2022

PROFESSIONAL ENGINEER

DATE

STANDARD DETAIL

**CAST IN PLACE &
PRECAST CONCRETE TOP
SLAB REINFORCING
DETAILS**

W
4.00

REVISIONS:
JUNE 1995
SEPTEMBER 2022