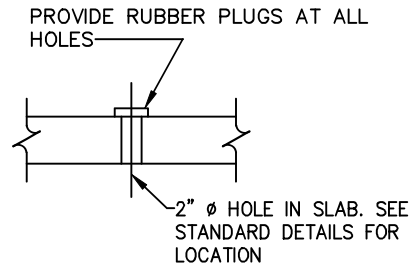
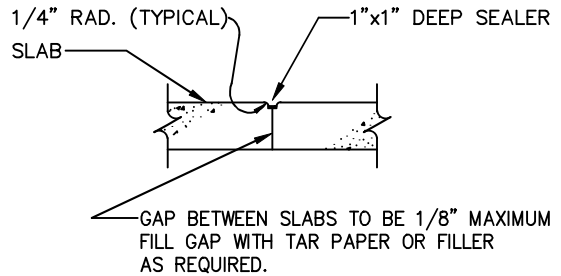


HATCH STACK DETAIL

NOTE:
IF VAULT IS LOCATED IN A STREET PROVIDE CHARLES COUNTY STANDARD 30" ϕ FRAME & COVER IN LIEU OF HATCH.

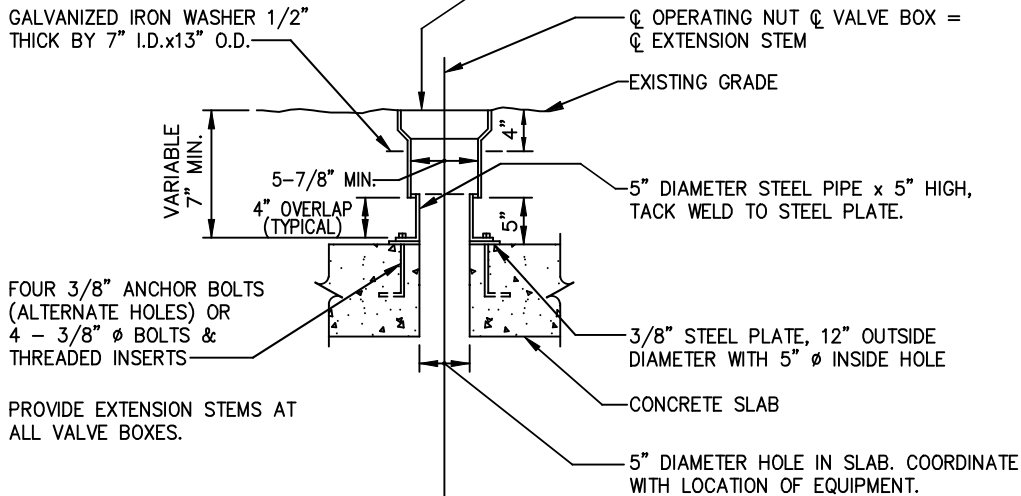


LIFTING HOLE DETAIL



SLAB JOINT DETAIL

USE STANDARD VALVE BOX COVER AND TOP SELECTION, SEE DETAIL W-3.00 OR W-3.01 EXCEPT THAT LENGTH WILL VARY AS REQUIRED AND FLANGE SHALL BE OMITTED. EXCESS LENGTH, IF ANY, MAY BE CUT OFF IN FIELD USING STANDARD METHODS FOR CUTTING C.I. PIPE.



VALVE BOX FOR SLAB OPENING



CHARLES COUNTY GOVERNMENT

DEPARTMENT OF PLANNING & GROWTH MANAGEMENT

APPROVED: Raymond N. Shumaker, Jr. Oct 5, 2022
Raymond N. Shumaker, Jr. (Oct 5, 2022 12:20 EDT)

CHIEF OF CODES, PERMITS, & INSPECTION SERVICES DATE
J.B.M. Oct 5, 2022

PROFESSIONAL ENGINEER DATE

STANDARD DETAIL

TOP SLAB DETAILS FOR VAULTS

W
4.04

REVISIONS:
JUNE 1995
SEPTEMBER 2022