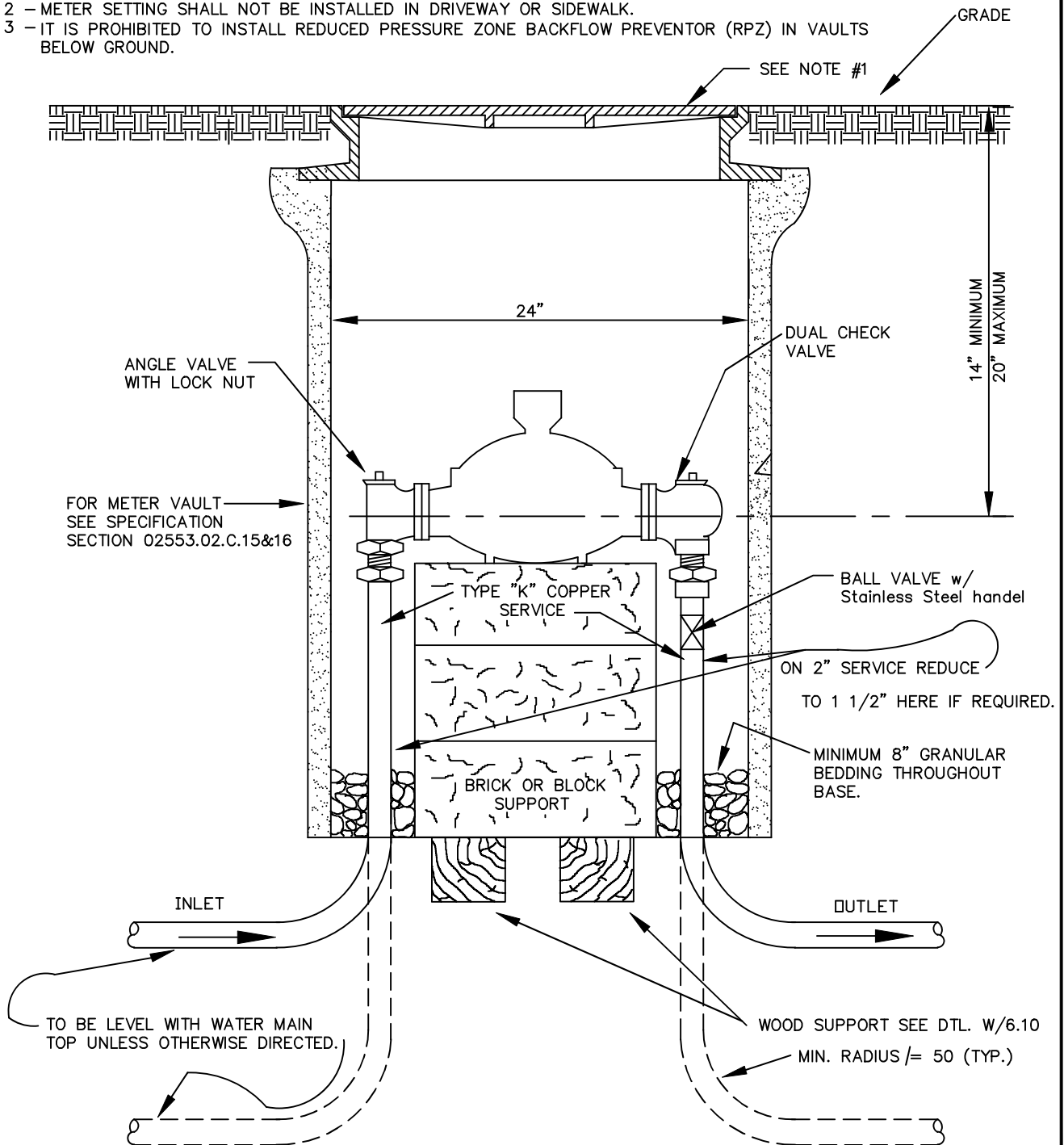



NOTES:

- 1 - ELECTRONIC METER READING COVER WITH REMOVABLE PLUG, MANUFACTURER FORD OR COUNTY APPROVED EQUAL.
- 2 - METER SETTING SHALL NOT BE INSTALLED IN DRIVEWAY OR SIDEWALK.
- 3 - IT IS PROHIBITED TO INSTALL REDUCED PRESSURE ZONE BACKFLOW PREVENTOR (RPZ) IN VAULTS BELOW GROUND.



| | | | |
|--|--|--|------------------------------------|
|  <p>CHARLES COUNTY GOVERNMENT DEPARTMENT OF PLANNING & GROWTH MANAGEMENT</p> | <p>APPROVED: <u>Raymond N. Shumaker, Jr.</u> Oct 5, 2022</p> <p>CHIEF OF CODES, PERMITS, & INSPECTION SERVICES</p> | <p>STANDARD DETAIL</p> <p>1 1/2" METER SETTING ON 1 1/2" OR 2" SERVICES</p> <p>(WITHOUT FIRE SPRINKLER SYSTEM)</p> | <p>W</p> <p>6.11</p> |
| | <p>DATE: Oct 5, 2022</p> | | <p>REVISIONS:</p> |
| | <p>DATE: Oct 5, 2022</p> | | <p>MARCH 2007</p> |
| | <p>PROFESSIONAL ENGINEER</p> | | <p>SEPTEMBER 2022</p> |