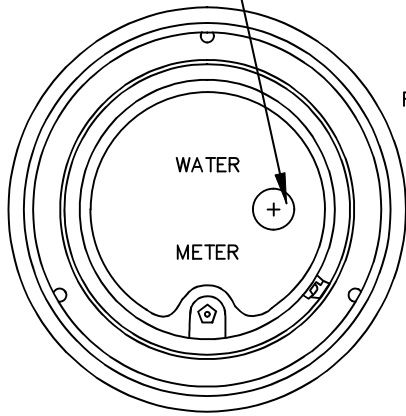
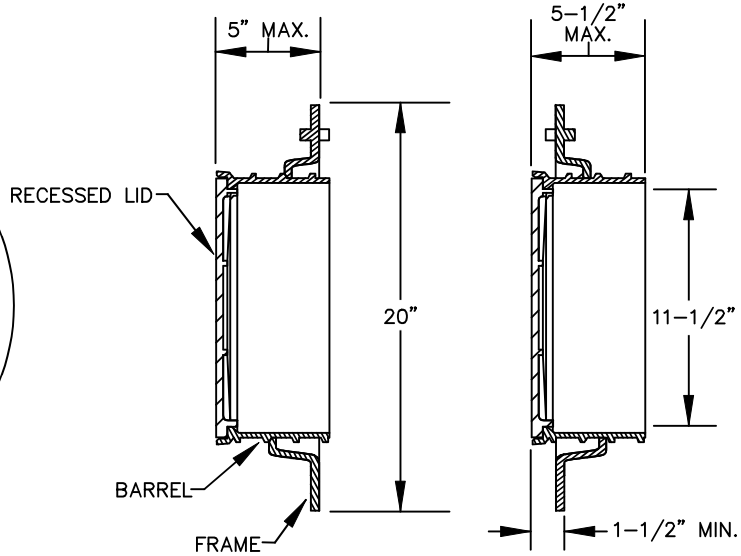


OPTIONAL: 2" HOLE FOR  
ELECTRONIC METER  
READING MODULES



VIEW SHOWING MAX.  
RISE OF 5"

VIEW OF ALTERNATE ASSEMBLY  
WITH INVERTED FRAME FOR  
1-1/2" RISE



NOTES

1. ADJUSTABLE COVER WITH 11-1/2" LID OPENING. MANUFACTURER FORD, SERIES 32B.
2. USE SERIES 32B-T SINGLE HOLE FOR METER READING MODULE, 32B-TT TWO HOLES FOR METER READING MODULES



CHARLES COUNTY GOVERNMENT

DEPARTMENT OF PLANNING & GROWTH MANAGEMENT

APPROVED: Raymond N. Shumaker, Jr. Oct 5, 2022  
Raymond N. Shumaker, Jr. (Oct 5, 2022 12:20 EDT)

CHIEF OF CODES, PERMITS, & INSPECTION SERVICES DATE  
h.B.W. Oct 5, 2022

PROFESSIONAL ENGINEER

DATE

STANDARD DETAIL

ADJUSTABLE METER  
BOX COVER

W  
6.17

REVISIONS:
