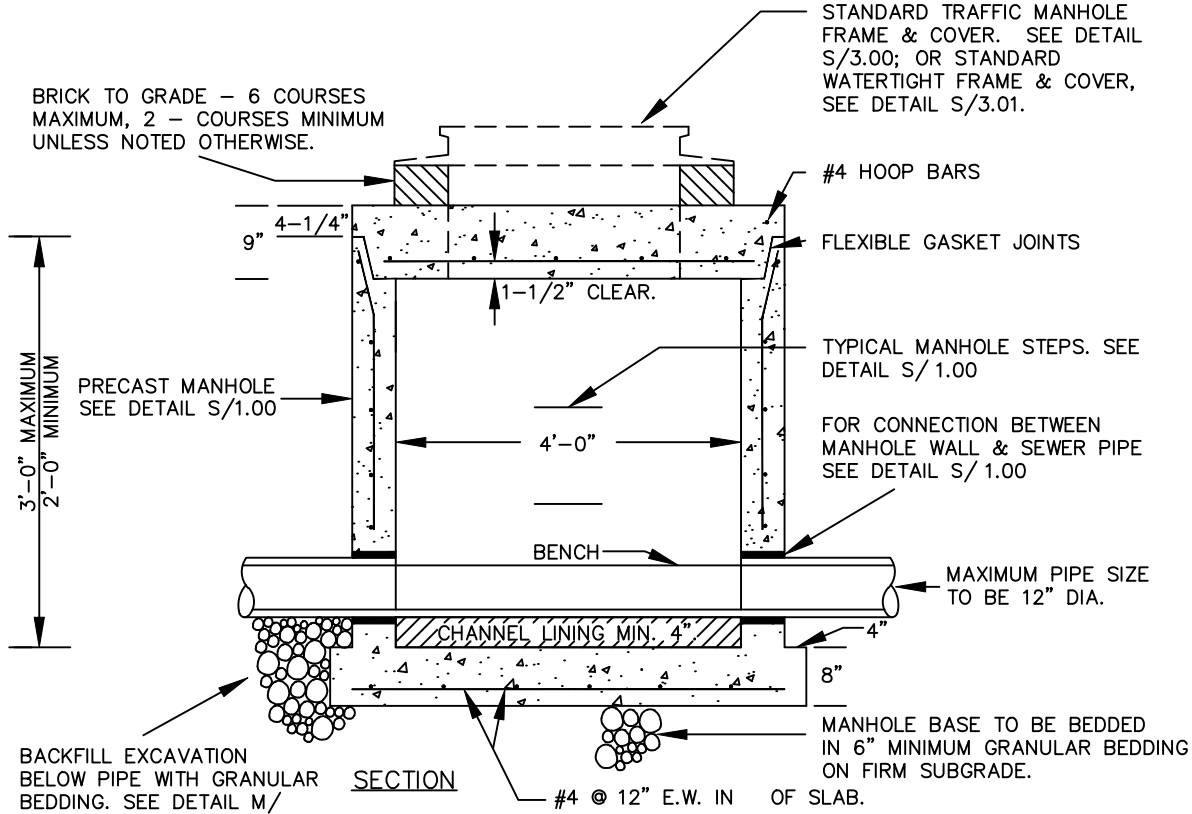


PLAN VIEW - PRECAST TOP SLAB



SECTION



CHARLES COUNTY GOVERNMENT

DEPARTMENT OF PLANNING & GROWTH MANAGEMENT

APPROVED: Raymond N. Shumaker, Jr. Aug 8, 2023  
Raymond N. Shumaker, Jr. (Aug 8, 2023 12:00 EDT)

CHIEF OF CODES, PERMITS, & INSPECTION SERVICES DATE

Andy B. Chin Aug 8, 2023  
Andy B. Chin (Aug 8, 2023 14:40 EDT)

PROFESSIONAL ENGINEER

DATE

STANDARD DETAIL

SHALLOW MANHOLE

S  
1.03

REVISIONS:
