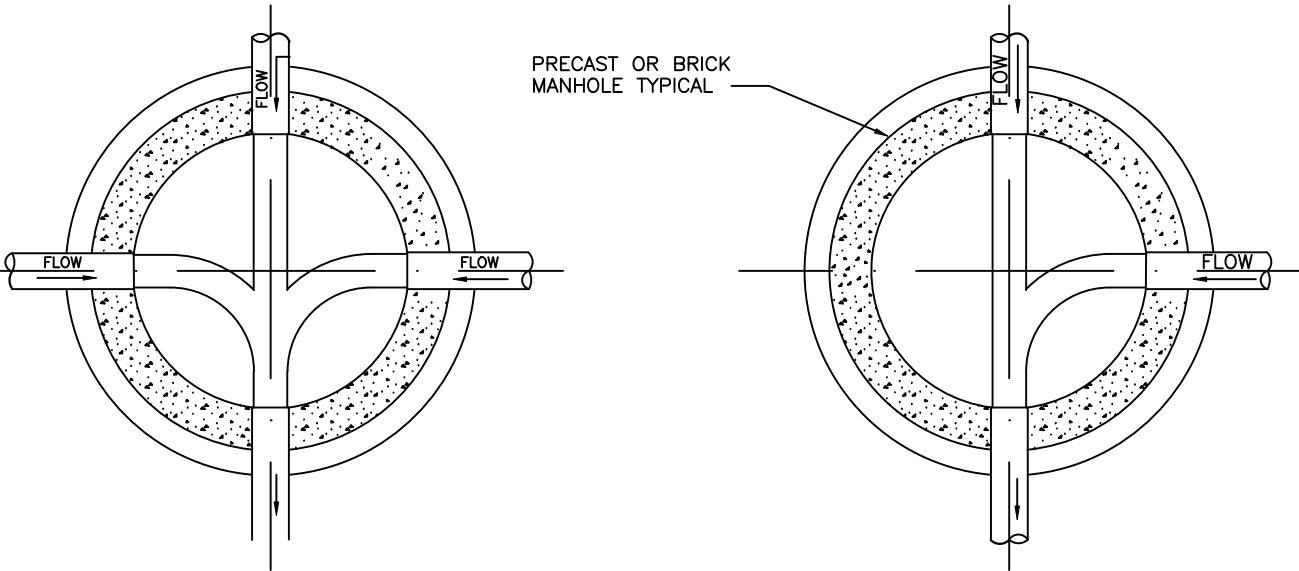


CHANNEL LINING NOTES:

1. CHANNEL LINING SHALL BE EITHER BRICK OR CONCRETE, MINIMUM 4" THICK.
2. WIDTH OF CHANNEL SHALL MATCH INSIDE DIAMETER OF INCOMING AND OUTGOING PIPES. BLEND CHANNEL LINING FOR SMOOTH CONTOUR BETWEEN PIPES.
3. CONCRETE CHANNELS SHALL BE FORMED AS SHOWN. F<sup>c</sup> FOR CAST-IN-PLACE CHANNELS AND BENCHES SHALL BE 3000 PSI @ 28 DAYS. FOR PRECAST CHANNELS AND BENCHES, F<sup>c</sup> x 4000 PSI MINIMUM.
4. BRICK CHANNELS SHALL BE FORMED AS SHOWN.
5. ALL INVERT ELEVATIONS SHALL BE SHOWN ON THE CONTRACTORS DRAWINGS.
6. EACH CHANNEL SHALL MAINTAIN A SLOPE OF TWO PERCENT THROUGH THE MANHOLE.
7. SHC'S SHALL NOT ENTER A MANHOLE AT AN ANGLE LESS THAN 90° TO THE EFFLUENT PIPE.



**CHARLES COUNTY GOVERNMENT**  
 DEPARTMENT OF PLANNING & GROWTH MANAGEMENT  
 APPROVED: Raymond N. Shumaker, Jr. Aug 8, 2023  
Raymond N. Shumaker, Jr. (Aug 8, 2023 12:00 EDT)  
 CHIEF OF CODES, PERMITS, & INSPECTION SERVICES DATE  
A. B. L. Aug 8, 2023  
Andy B. Linn (Aug 8, 2023 14:40 EDT)  
 PROFESSIONAL ENGINEER DATE

STANDARD DETAIL  
 PLAN OF TYPICAL  
 CHANNELIZATION OF  
 MAINLINE SEWER  
 MANHOLES

S
2.00
REVISIONS:
DECEMBER 2022