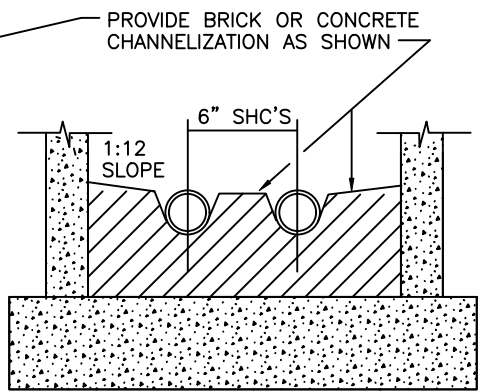
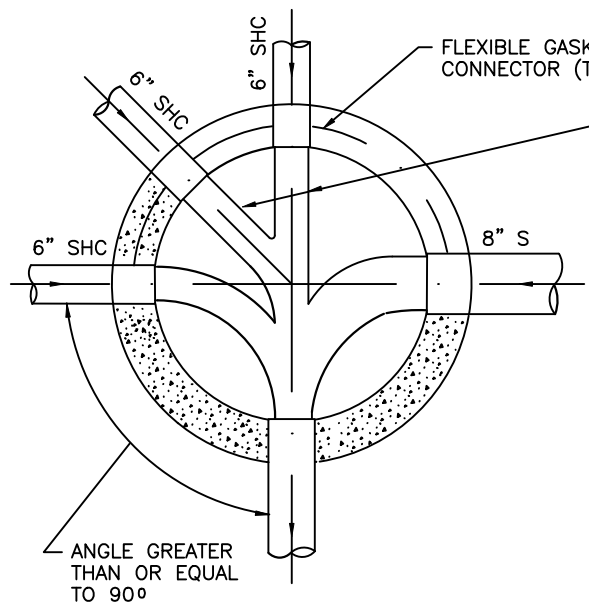


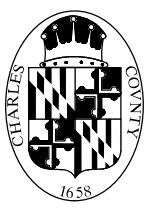
CHANNEL INTERSECTION SHALL HAVE A MINIMUM FACE OF 3 INCHES

TYPICAL CHANNEL CONFIGURATIONS



TYPICAL MANHOLE SECTION

1. CHANNEL LININGS SHALL BE IN ACCORDANCE WITH NOTES ON STANDARD DETAILS S/2.00
2. THE MINIMUM AND MAXIMUM DIAMETER OF MANHOLES SHALL BE 48-INCHES AND 60-INCHES.
3. THE MINIMUM SPACING BETWEEN CONNECTIONS SHALL BE 9-INCHES.
4. EACH CHANNEL SHALL MAINTAIN A SLOPE OF TWO PERCENT THROUGH THE MANHOLE.
5. SHC'S SHALL NOT ENTER A MANHOLE AT AN ANGLE LESS THAN 90° TO THE EFFLUENT PIPE.



CHARLES COUNTY GOVERNMENT

DEPARTMENT OF PLANNING & GROWTH MANAGEMENT

APPROVED: Raymond N. Shumaker, Jr. Aug 8, 2023
Raymond N. Shumaker, Jr. (Aug 8, 2023 12:00 EDT)

CHIEF OF CODES, PERMITS, & INSPECTION SERVICES DATE

A. B. Bl. Aug 8, 2023
Andy Blum (Aug 8, 2023 14:00 EDT)

PROFESSIONAL ENGINEER DATE

STANDARD DETAIL
**RADIAL MULTIPLE SEWER
 HOUSE CONNECTION
 INSTALLATION AND
 CHANNELIZATION**

<u>S</u>
2.01
REVISIONS:
DECEMBER 2022