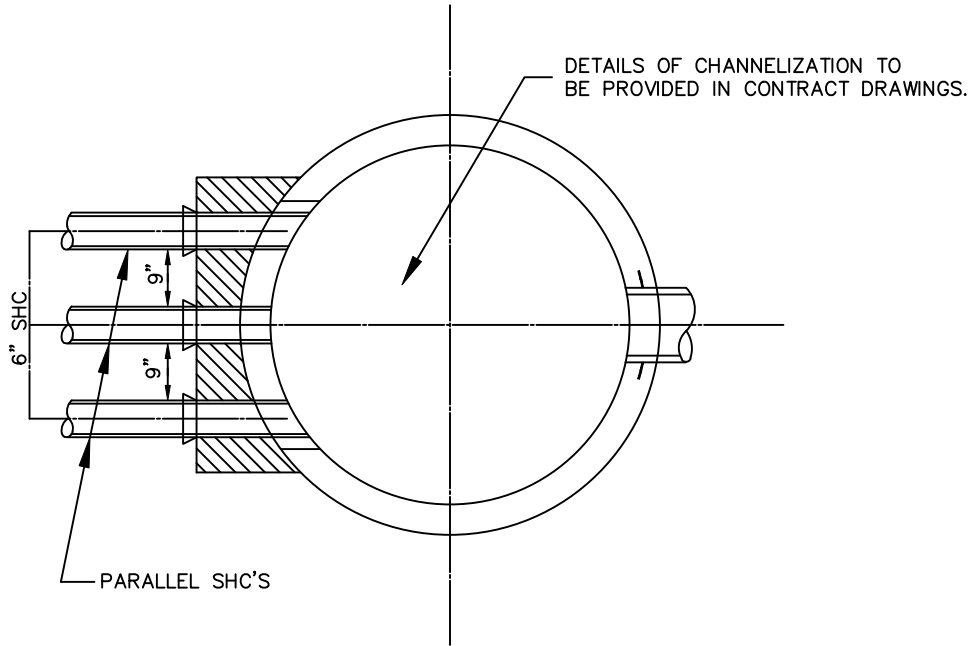


BENTONITE & GROUT APPLICATION
PER STANDARD DETAIL S/



NOTES:

1. NO MORE THAN THREE (3) SHC'S MAY BE CONNECTED PARALLELED TO EACH OTHER.
2. SPACING DISTANCE BETWEEN SHC'S TO BE 9-INCHES.



CHARLES COUNTY GOVERNMENT

DEPARTMENT OF PLANNING & GROWTH MANAGEMENT

APPROVED: Raymond N. Shumaker, Jr. Aug 8, 2023
Raymond N. Shumaker, Jr. (Aug 8, 2023 12:00 EDT)

CHIEF OF CODES, PERMITS, & INSPECTION SERVICES DATE

ALP
Andy L. Peltin (Aug 8, 2023 14:40 EDT)

PROFESSIONAL ENGINEER

Aug 8, 2023

DATE

STANDARD DETAIL

PARALLEL MULTIPLE SEWER
HOUSE CONNECTION
INSTALLATION

S
2.02

REVISIONS:
