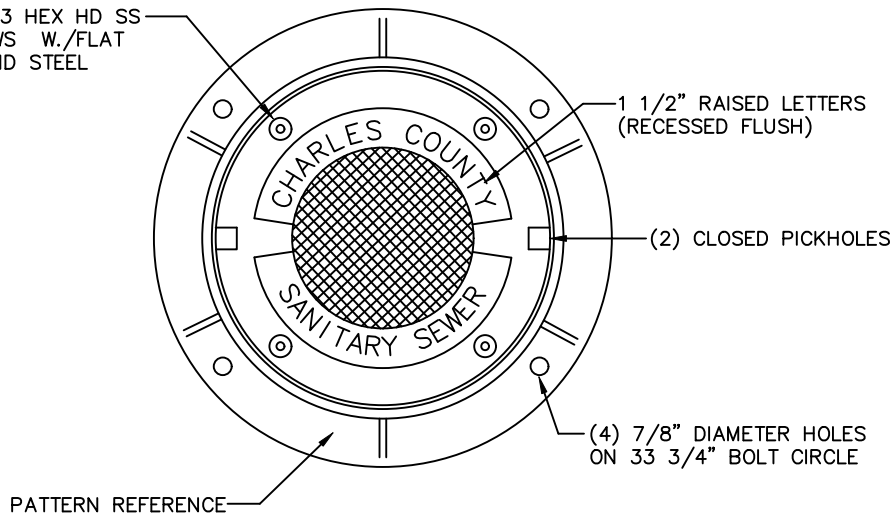
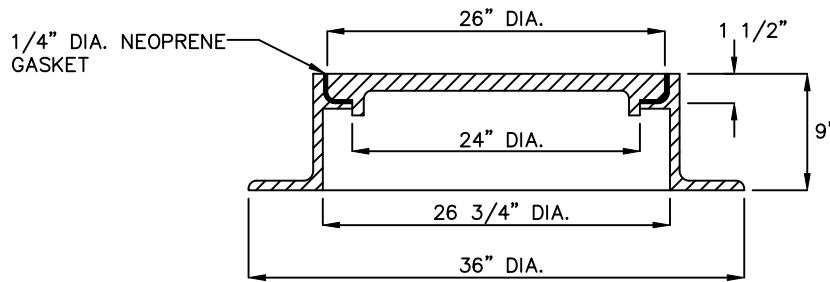


(4) 1/2" - 13 HEX HD SS  
CAP SCREWS W./FLAT  
RUBBER AND STEEL  
WASHERS.



PLAN



SECTION

HEAVY DUTY  
MATERIAL ASTM A48 CL30  
UNIT WEIGHT: 360 LBS

NOTES

1. FOR USE IN UNPAVED EASEMENT AREAS WHICH REQUIRE WATER TIGHT FRAME AND COVERS.
2. USE NEVER-SEIZE LUBE ON SCREWS AND BOLTS.
3. MANUFACTURER'S NAME MUST APPEAR ON FRAME AND COVER.
4. ALL FRAME AND COVERS MUST BE FACTORY COATED.
5. MACHINE SURFACE.
6. ALL FRAME AND COVERS MUST BE PER CHARLES COUNTY SPECIFICATIONS. THE COVER SHOULD READ "CHARLES COUNTY WATER" FOR WATER USE AND "CHARLES COUNTY RECLAIMED WATER" FOR RECLAIMED WATER USE.



CHARLES COUNTY GOVERNMENT

DEPARTMENT OF PLANNING & GROWTH MANAGEMENT

APPROVED: Raymond N. Shumaker, Jr. Aug 8, 2023  
CHIEF OF CODES, PERMITS, & INSPECTION SERVICES DATE

ALBA Aug 8, 2023  
PROFESSIONAL ENGINEER DATE

STANDARD DETAIL

WATER TIGHT  
EASEMENT FRAME &  
COVER (BOLT DOWN)

S  
3.02

REVISIONS:  
DECEMBER 2022