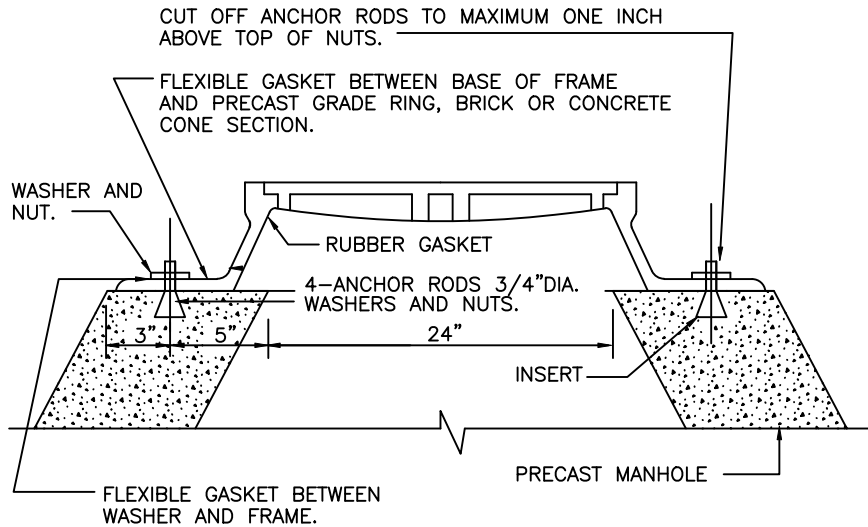


PLAN

NOTES:

1. MOUNT FRAME/COVER ON MANHOLE CONE WITHOUT BRICK OR GRADE RING TRANSITION, AS SHOWN. TOP OF FRAME AND COVER SHALL BE SET 12" BELOW FINAL RIM ELEVATION SHOWN ON THE DRAWINGS.
2. IF SLOTTED INSERTS ARE USED DO NOT FILL WITH MORTAR.

S-3.01 NOTES  
#6 APPLY



SECTION A



CHARLES COUNTY GOVERNMENT

DEPARTMENT OF PLANNING & GROWTH MANAGEMENT

APPROVED: Raymond N. Shumaker, Jr. Aug 8, 2023  
Raymond N. Shumaker, Jr. (Aug 8, 2023 12:00 EDT)

CHIEF OF CODES, PERMITS, & INSPECTION SERVICES DATE

Andy Martin Aug 8, 2023  
Andy Martin (Aug 8, 2023 14:40 EDT)

PROFESSIONAL ENGINEER DATE

STANDARD DETAIL

INTERM SETTING  
ANCHORING 24"  
WATERTIGHT FRAME &  
COVER TO MH WALL

S  
3.05

REVISIONS:
