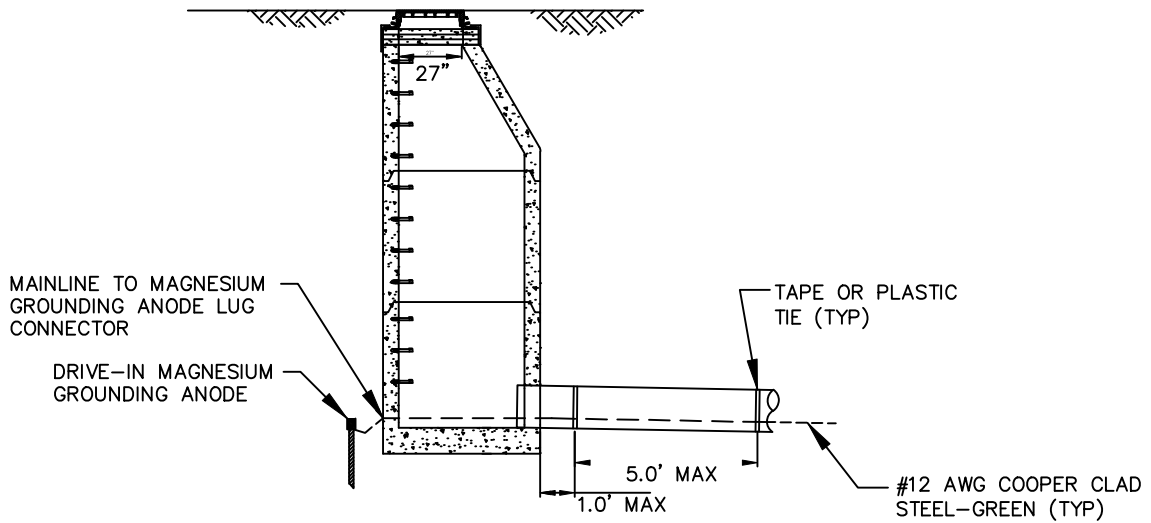


SEWER MANHOLE – PLAN VIEW  
NOT TO SCALE



SEWER MANHOLE – SECTION VIEW  
NOT TO SCALE



CHARLES COUNTY GOVERNMENT

DEPARTMENT OF PLANNING & GROWTH MANAGEMENT

APPROVED: Raymond N. Shumaker, Jr. Aug 8, 2023  
CHIEF OF CODES, PERMITS, & INSPECTION SERVICES DATE

Andy Miller Aug 8, 2023 14:40 EDT  
PROFESSIONAL ENGINEER DATE

STANDARD DETAIL

TRACER WIRE SEWER SERVICE DETAIL

S  
5.03

REVISIONS:  
DECEMBER 2022