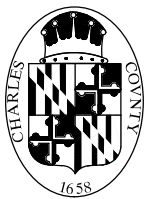
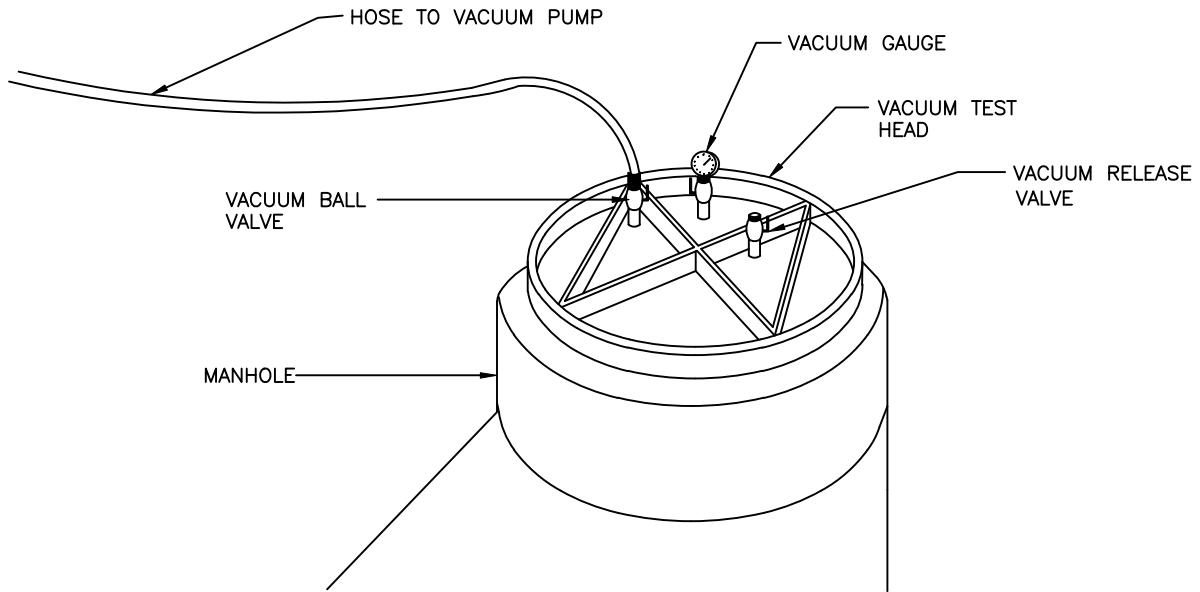


NOTES:

1. PLUG ALL CHANNEL INLETS AND OUTLETS IN THE MANHOLE BASE AND BRACE EACH PLUG.
2. PLACE THE VACUUM TEST HEAD ON THE TOP SURFACE OF THE MANHOLE (CONE OR CAST IRON CASTING—USE APPROPRIATE TEST HEAD FOR APPLICATION). MAKE SURE THE BALL VALVE ON THE TEST HEAD IS CLOSED.
3. START THE VACUUM PUMP.
4. OPEN THE BALL VALVE INITIATING THE VACUUM IN THE MANHOLE. THE HIGH VOLUME VACUUM PUMP WILL SEAL THE TEST HEAD TO THE MANHOLE UNDER TEST.
5. WHEN THE VACUUM REACHES 10" Hg SHUT OFF THE VACUUM BALL VALVE THUS ISOLATING THE VACUUM INSIDE THE MANHOLE. A PRESSURE RELIEF VALVE SHOULD BE PRESENT ON THE EQUIPMENT WHICH WILL ALLOW THE VACUUM PUMP TO IDLE DURING THE TEST WITHOUT CAUSING ANY DAMAGE.
6. MEASURE THE TIME WHICH THE VACUUM IN THE MANHOLE UNDER TEST FALLS TO 9" hg.
7. RECORD THE TIME.
8. RELEASE THE VACUUM IN THE MANHOLE BY OPENING THE VACUUM RELEASE VALVE ON THE TEST HEAD.
9. REFER TO CHARLES COUNTY SEWER SPECIFICATIONS FOR SPECIFIC TESTING CRITERIA.



CHARLES COUNTY GOVERNMENT

DEPARTMENT OF PLANNING & GROWTH MANAGEMENT

APPROVED: Raymond N. Shumaker, Jr. Aug 8, 2023
Raymond N. Shumaker, Jr. (Aug 8, 2023 12:00 EDT) DATE

A.P.B. Aug 8, 2023
Andy P. Blinn (Aug 8, 2023 14:40 EDT) DATE

PROFESSIONAL ENGINEER

STANDARD DETAIL

MANHOLE VACUUM TESTING

S
6.00
REVISIONS: