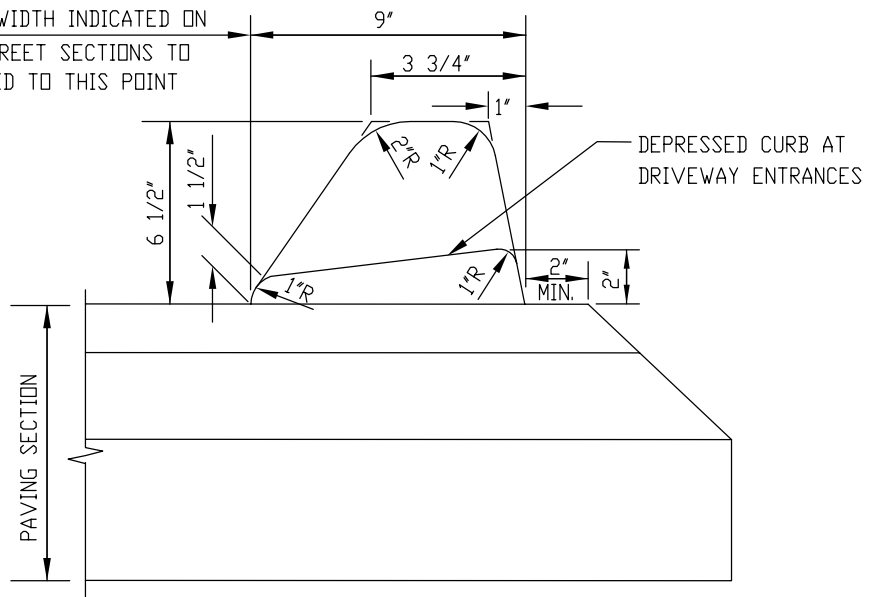
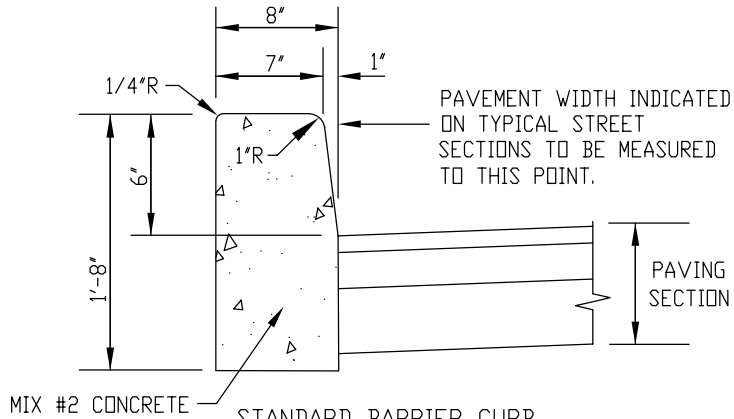


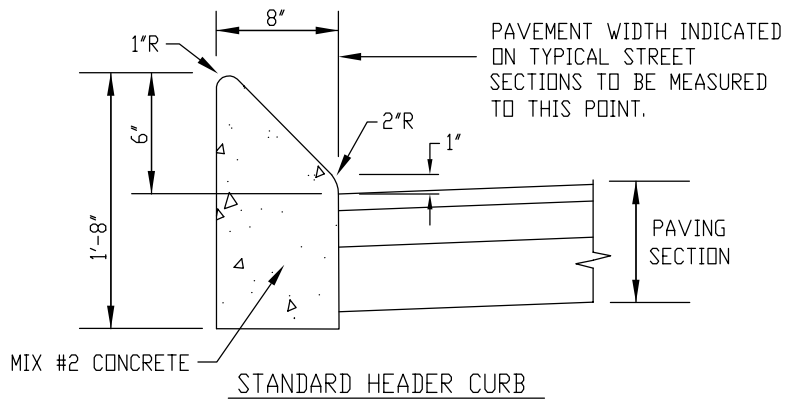
PAVEMENT WIDTH INDICATED ON  
TYPICAL STREET SECTIONS TO  
BE MEASURED TO THIS POINT



STANDARD BITUMINOUS CURB



STANDARD BARRIER CURB



STANDARD HEADER CURB

NOTES:

1. MAX JOINT SPACING FOR STANDARD CURB - 10'
2. SEE SPECIFICATIONS FOR LOCATION AND DESCRIPTION OF TREATMENT FOR THE TYPES OF JOINTS USED.

**CHARLES COUNTY GOVERNMENT**

DEPARTMENT OF PLANNING & GROWTH MANAGEMENT

APPROVED:

*[Signature]*  
CHIEF OF CODES, PERMITS, &  
INSPECTION SERVICES

8/24/15  
DATE

*[Signature]*  
HIGHWAY ENGINEER

8/24/15  
DATE

STANDARD DETAIL

STANDARD CURBS

REVISIONS:

8/24/2015

R  
2.23