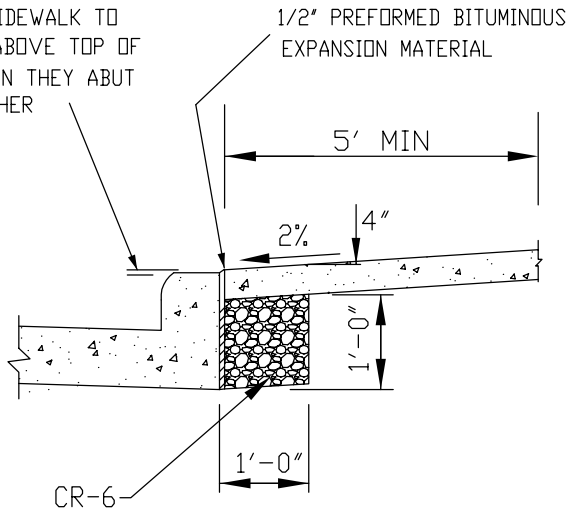
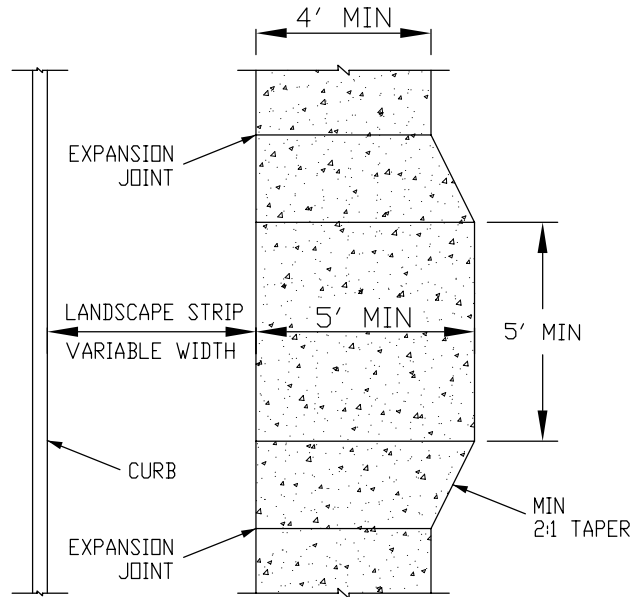


TOP OF SIDEWALK TO BE 1/4" ABOVE TOP OF CURB WHEN THEY ABUT ONE ANOTHER



DETAIL A (SEE NOTE 5)



PLAN: SIDEWALK PASSING DETAIL

NOTE:

1. SIDEWALK TO BE SCRIBED IN 5' MAXIMUM SQUARES.
2. EXPANSION JOINTS ACROSS THE SIDEWALK NOT TO BE MORE THAN 15' APART.
3. 1/2" PREFORMED BITUMINOUS EXPANSION MATERIAL IN EXPANSION JOINTS TO BE KEPT 1/4" BELOW SURFACE OF SIDEWALK.
4. CONCRETE TO BE MIX NO. 2
5. SIDEWALK MAY ABUT CURB WITH PERMISSION OF THE HIGHWAY ENGINEER. WHEN SIDEWALK ABUTS CURB, WALK SHALL BE A MINIMUM WIDTH OF 5' FROM BACK OF CURB, AND 1/4" ABOVE CURB WITH 1/2" PREFORMED BITUMINOUS EXPANSION MATERIAL BETWEEN SIDEWALK AND CURB, AND RESTING ON A COMPACTED CRUSHED STONE BASE. SEE DETAIL "A" THIS SHEET.
6. ON LONGITUDINAL SIDEWALK GRADES OF 5% OR GREATER, A CONCRETE HEADER, 6" THICK AND 6" DEEP BELOW THE NORMAL 4" SIDEWALK THICKNESS SHALL BE CONSTRUCTED FOR THE FULL WIDTH OF THE SIDEWALK AT INTERVALS OF 48 FEET. THE HEADERS SHALL BE PLACED AT EXPANSION JOINT LOCATIONS AND SHALL BE MONOLITHIC WITH THE SIDEWALK.
7. WHERE 5' SIDEWALK WIDTH IS NOT PROVIDED, PASSING ZONES SHALL BE CONSTRUCTED EVERY 200'. SEE SIDEWALK PASSING DETAIL THIS SHEET. DRIVEWAY APRONS WITH 2% SLOPE CAN MEET THIS REQUIREMENT.

CHARLES COUNTY GOVERNMENT

DEPARTMENT OF PLANNING & GROWTH MANAGEMENT

APPROVED:

[Signature]
CHIEF OF CODES, PERMITS, &
INSPECTION SERVICES

8/24/15

DATE

[Signature]
HIGHWAY ENGINEER

8/24/15

DATE

STANDARD DETAIL
CONCRETE SIDEWALK

REVISIONS:

8/24/2015

R
2.28