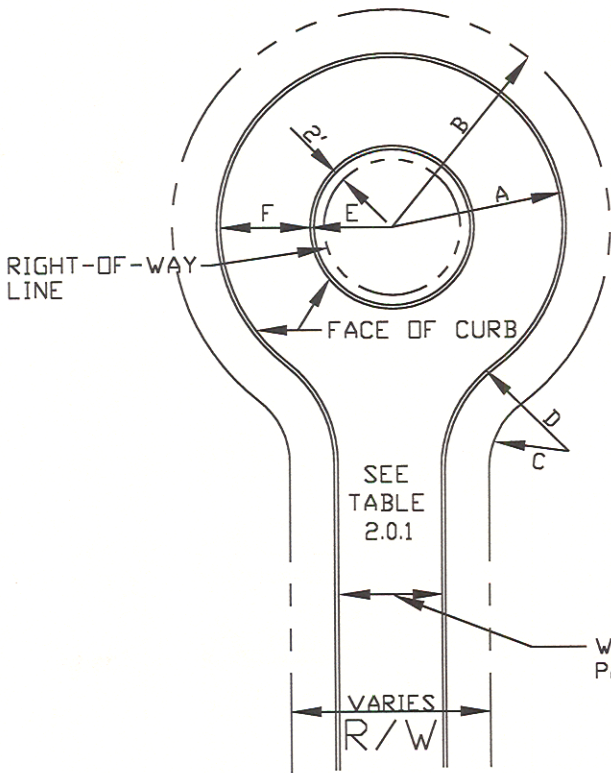
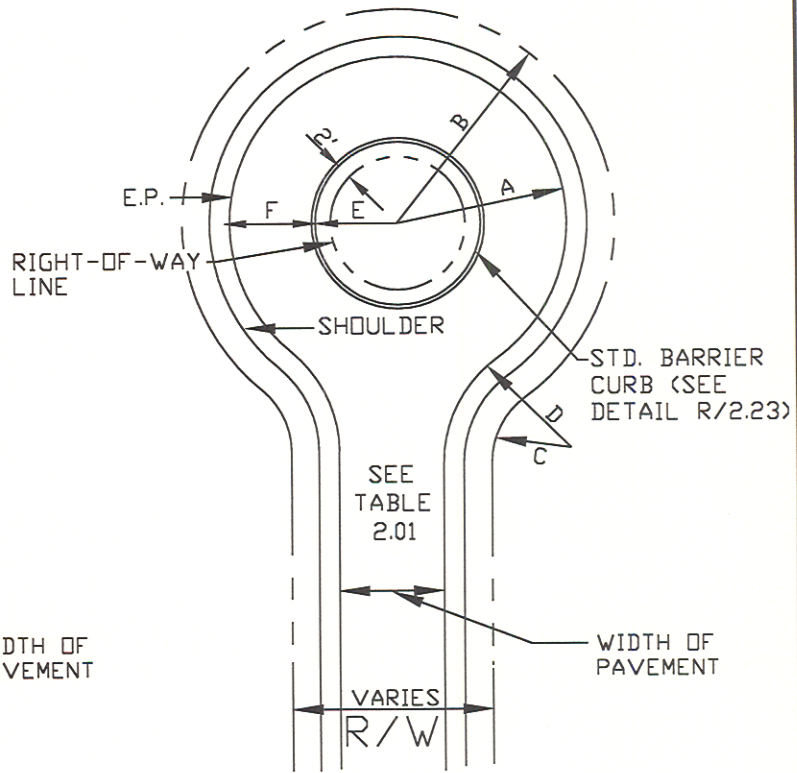


TYPE	R/W	A	B	C	D	E	F	
STANDARD	50'	42'	55'	25'	38'	17'	25'	
	60'	45'	60'	25'	40'	17'	28'	
SCHOOL BUS TURNAROUND	50'	60'	73'	25'	38'	35'	25'	
	60'	63'	78'	25'	40'	35'	28'	



CLOSED SECTION



OPEN SECTION

NOTE:

A. ISLAND NOT TO BE MAINTAINED BY CHARLES COUNTY.

CHARLES COUNTY GOVERNMENT

DEPARTMENT OF PLANNING & GROWTH MANAGEMENT

APPROVED:

[Signature]
HIGHWAY ENGINEER

CHIEF OF DEVELOPMENT & CAPITAL SERVICES

DATE

11/19/99

STANDARD DETAIL

STANDARD CUL-DE-SACS
WITH ISLAND

REVISIONS:

R
2.39