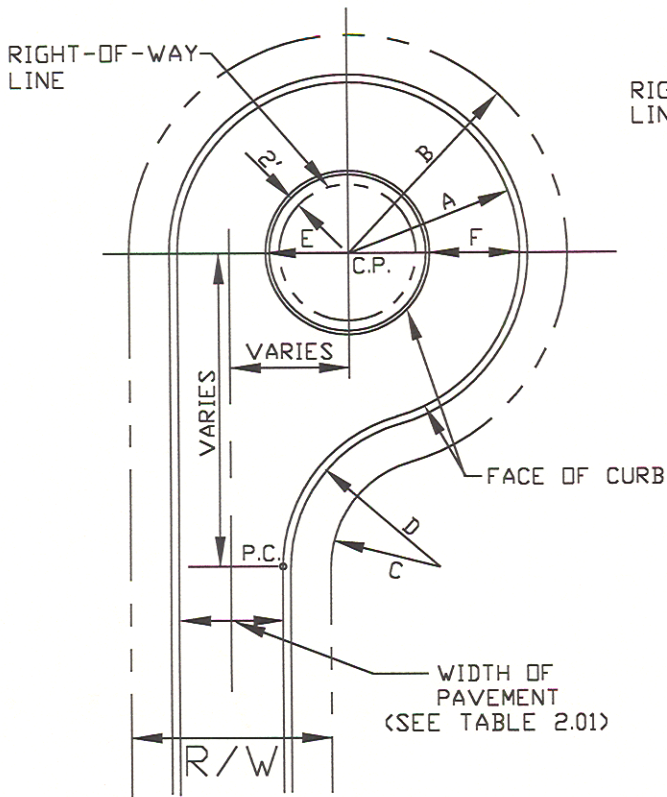
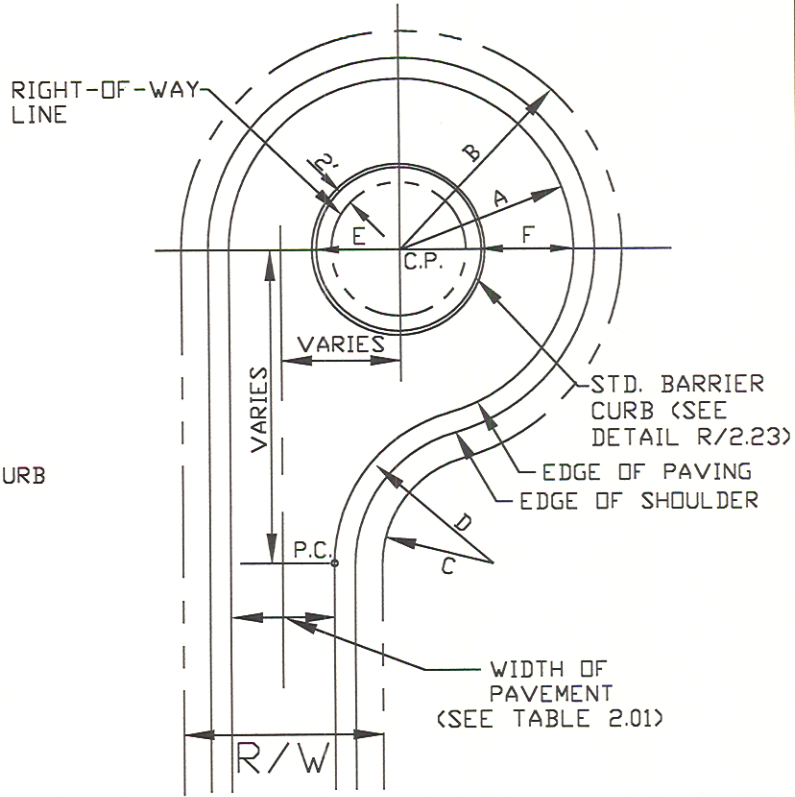


TYPE	R/W	A	B	C	D	E	F	
STANDARD	50'	42'	55'	25'	38'	17'	25'	
	60'	45'	60'	25'	40'	17'	28'	
SCHOOL BUS TURNAROUND	50'	60'	73'	25'	38'	35'	25'	
	60'	63'	78'	25'	40'	35'	28'	



CLOSED SECTION



OPEN SECTION

NOTE:

A. LEFT OFFSET CUL-DE-SAC TO BE MIRROR IMAGE OF CUL-DE-SAC AS SHOWN.

CHARLES COUNTY GOVERNMENT

DEPARTMENT OF PLANNING & GROWTH MANAGEMENT

APPROVED:

[Signature] 11/19/99
 CHIEF OF DEVELOPMENT & CAPITAL SERVICES DATE
[Signature] 11/19/99
 HIGHWAY ENGINEER DATE

STANDARD DETAIL

OFFSET CUL-DE-SACS
(WITH ISLAND)

REVISIONS:

R
2.41