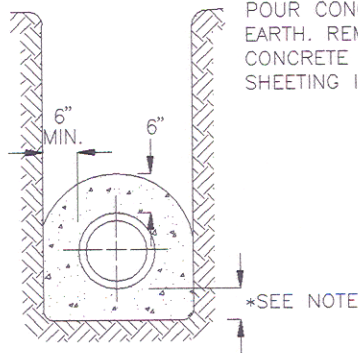


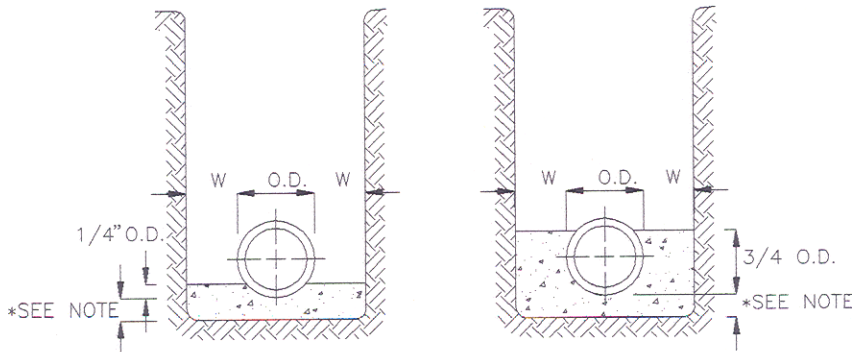
NOTE:
FOR TRENCH WIDTH "W" SEE M/2.04



ENCASEMENT DETAILS
(NOT TO SCALE)

POUR CONCRETE AGAINST UNDISTURBED EARTH. REMOVE SHEETING BEFORE POURING CONCRETE OR LEAVE LOWER PORTION OF SHEETING IN PLACE.

NORMAL PIPE DIAMETER	Max. Payment	
	Cu.Ft.Per.Lin.Ft. Concrete Encasement	
4" & 6"	2.64	
8"	2.86	
10"	3.02	
12"	3.46	
15"	4.10	
16" & 18"	5.40	
20" & 21"	6.13	
24"	7.67	
27"	8.91	
30"	9.86	
33"	12.45	
36"	13.53	
42"	15.71	
48"	19.82	
54"	22.98	
60"	25.06	
66"	27.81	
72"	30.62	



DETAIL OF LOW CRADLE DETAIL OF HIGH CRADLE

CRADLE DETAILS
(NOT TO SCALE)

NORMAL PIPE DIAMETER	Max. Payment	
	Cu.Ft.Per.Lin.Ft.	
	High Cradle	Low Cradle
4" & 6"	1.62	0.98
8"	1.79	1.06
10"	1.91	1.17
12"	2.25	1.30
15"	2.73	1.56
16" & 18"	3.75	2.06
20" & 21"	4.35	2.38
24"	5.62	2.97
27"	6.72	3.73
30"	7.48	4.16
33"	9.69	5.18
36"	10.61	5.67
42"	12.53	6.72
48"	16.12	8.41
54"	18.39	9.67
60"	20.76	10.96
66"	23.22	12.34
72"	25.76	13.77

*NOTE:
3" MIN. FOR PIPES 24" & SMALLER DIAMETER
4" MIN. FOR PIPES LARGER THAN 24" DIAMETER

POUR CONCRETE AGAINST UNDISTURBED EARTH. REMOVE SHEETING BEFORE POURING CONCRETE OR LEAVE LOWER PORTION OF SHEETING IN PLACE. ALL CONCRETE SHALL BE f c=2000 PSI @ 28 DAYS.

CHARLES COUNTY GOVERNMENT

DEPARTMENT OF PLANNING & GROWTH MANAGEMENT

APPROVED: *[Signature]* 6/29/95

DIRECTOR OF DEVELOPMENT SERVICES DATE

[Signature] 6/29/95
WATER / SEWER ENGINEER DATE

STANDARD DETAIL
CONCRETE ENCASEMENT
& CRADLE DETAILS

REVISIONS:

M
2.05