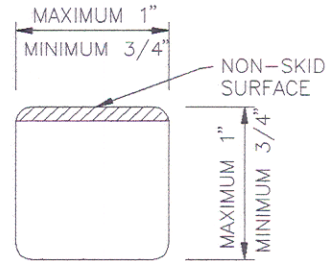
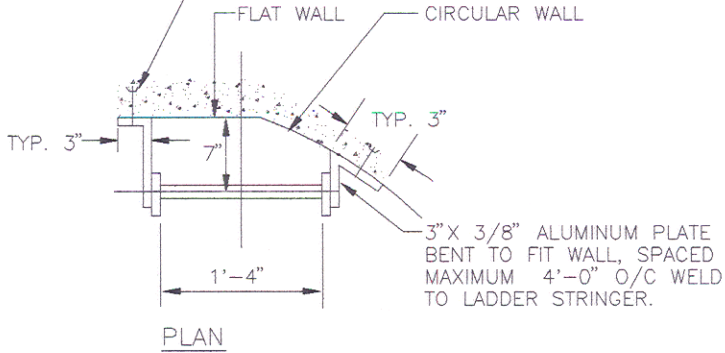
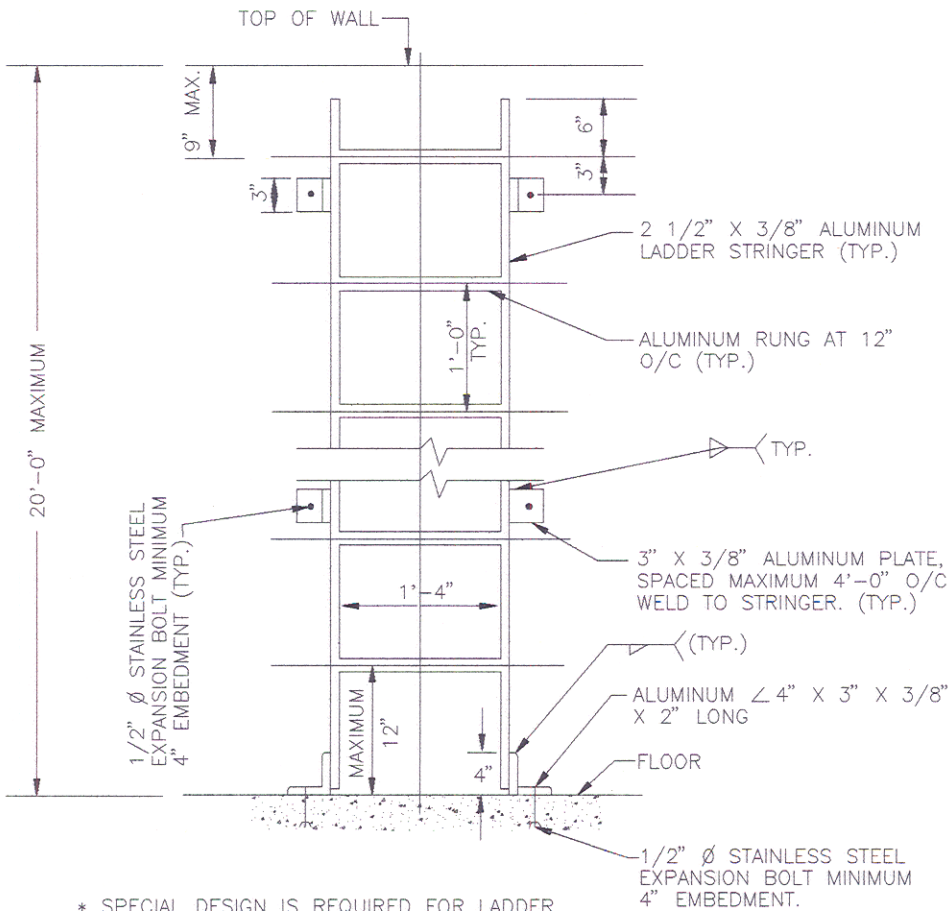


1/2" Ø STAINLESS STEEL EXPANSION BOLT MINIMUM 4" EMBEDMENT (TYP.)



ALUMINUM RUNG DETAIL

PROVIDE MINIMUM SECTION MODULUS 0.1 IN³. RUNGS SHALL BE FREE OF SHARP EDGES.



* SPECIAL DESIGN IS REQUIRED FOR LADDER MORE THAN 20'-0"

NOTES:

1. ALL ALUMINUM SHALL BE 6061-T6 ALLOY.
2. WHERE ALUMINUM CONTACTS CONCRETE, COAT ALUMINUM WITH BITUMINOUS PAINT.
3. MINIMUM OPENING SIZE OF ENTRANCE TO LADDER IS 30" DIAMETER OR 30" SQUARE.
4. RUNG SHALL BE WELDED OR BOLTED TO STRINGER FOR 300 LB. LIVE LOAD.
5. ALL WELDS SHALL BE 3/16" WIDE.
6. KEEP LADDER FREE OF OBSTACLES THAT WILL INTERFERE WITH THE PLACEMENT OF FEET OR HANDS.

CHARLES COUNTY GOVERNMENT

DEPARTMENT OF PLANNING & GROWTH MANAGEMENT

APPROVED:

[Signature] 6/29/95
 DIRECTOR OF DEVELOPMENT SERVICES DATE
[Signature] 6/29/95
 WATER / SEWER ENGINEER DATE

STANDARD DETAIL

ALUMINUM LADDER

REVISIONS:

M
3.03