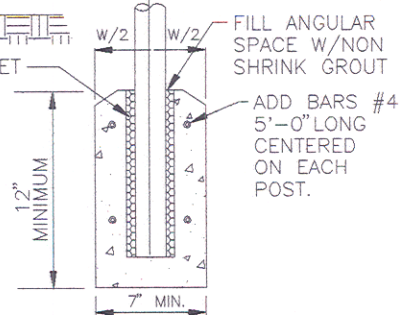


1. PROVIDE BAND OR CLIP SPACING
  - A. LINE POSTS 14' O.C.
  - B. TOP RAIL 24' O.C.
  - C. CORNER POST 14' O.C.
2. PROVIDE BARBED SELVEDGES - T & B



CHARLES COUNTY GOVERNMENT  
 DEPARTMENT OF PLANNING & GROWTH MANAGEMENT  
 APPROVED: *[Signature]* 6/29/95  
 DIRECTOR OF DEVELOPMENT SERVICES DATE  
*[Signature]* 6/29/95  
 WATER / SEWER ENGINEER DATE

STANDARD DETAIL  
 DETAIL

REVISIONS:

M  
 3.06