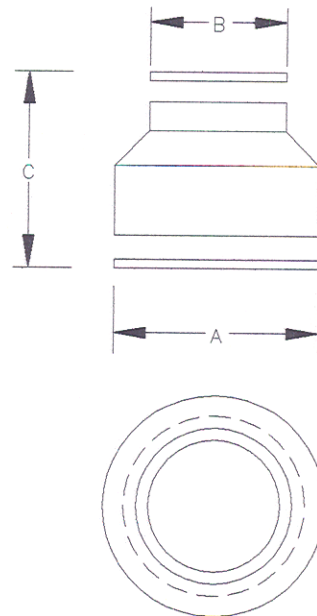


SIZING CHART

CAST IRON OR PLASTIC TO CAST IRON OR PLASTIC

| PART NO.  | A     | B     | C   |
|-----------|-------|-------|-----|
| 1056-150  | 1.90  | 1.90  | 3.5 |
| 1056-22   | 2.40  | 2.40  | 3.5 |
| 1056-33   | 3.38  | 3.38  | 4.0 |
| 1056-43   | 4.38  | 3.38  | 4.0 |
| 1056-44   | 4.38  | 4.38  | 4.0 |
| 1056-64   | 6.38  | 4.38  | 5.0 |
| 1056-66   | 6.38  | 6.38  | 5.0 |
| 1056-86   | 8.50  | 6.38  | 6.0 |
| 1056-88   | 8.50  | 8.50  | 6.0 |
| 1056-108  | 10.60 | 8.50  | 6.5 |
| 1056-1010 | 10.60 | 10.60 | 6.5 |
| 1056-1210 | 12.60 | 10.60 | 6.5 |
| 1056-1212 | 12.60 | 12.60 | 6.5 |



NOT TO SCALE

SERIES 1056: Designed for Cast Iron or Plastic to Cast Iron or Plastic, but will connect any two pipes within  $\pm 5\%$  O.D. on chart.

CHARLES COUNTY GOVERNMENT

DEPARTMENT OF PLANNING & GROWTH MANAGEMENT

APPROVED:

*M. L. H. G.* 6/29/95  
DIRECTOR OF DEVELOPMENT SERVICES DATE

*M. L. H. G.* 6/29/95  
WATER / SEWER ENGINEER DATE

STANDARD DETAIL

FERNCO ADAPTER

REVISIONS:

|  |
|--|
|  |
|  |
|  |
|  |

M  
 4.00