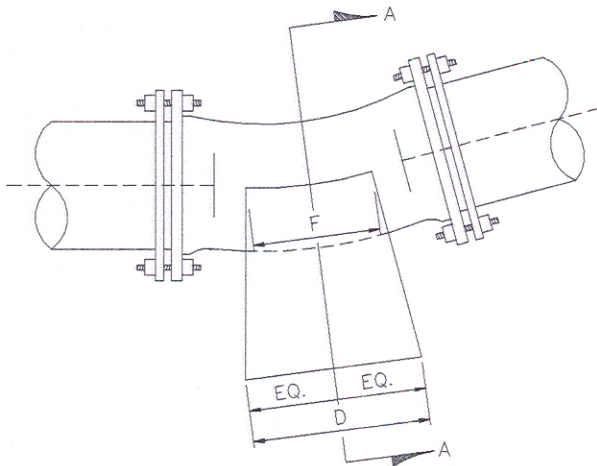


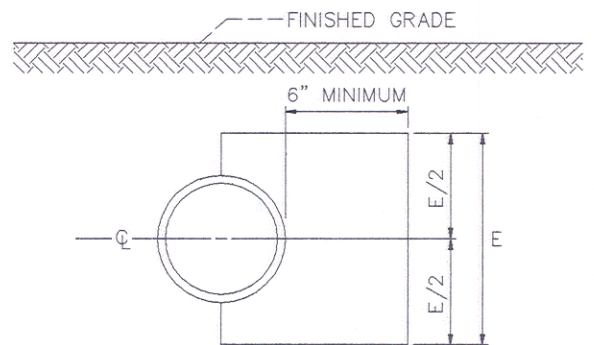
NOTES:

1. CONCRETE STRENGTH $f'_c = 3000\text{psi}$ AT 28 DAYS.
2. BOTTOM SURFACE AND FRONT FACE OF BLOCK (i.e. D&E) SHALL REST AGAINST UNDISTURBED GROUND.
3. DEPTH FROM FINISHED GRADE TO THE TOP OF PIPE ASSUMED TO EQUAL 4'-0"; IF DEEPER USE STANDARD DETAILS; IF SHALLOWER SPECIAL BLOCK DESIGN IS REQUIRED.
4. ELEVATION OF GROUNDWATER TABLE ASSUMED TO BE BELOW INVERT OF PIPE, IF GROUNDWATER TABLE IS ABOVE INVERT SPECIAL BLOCK DESIGN IS REQUIRED.
5. SOFT OR ORGANIC SOIL CONDITIONS REQUIRE SPECIAL BLOCK DESIGN.
6. SPECIAL BLOCK DESIGN IS REQUIRED FOR PIPES 16" AND LARGER DIAMETER.
7. DIMENSIONS FOR D, E, AND G ARE MINIMUMS REQUIRED. DIMENSION FOR F SHALL BE AS SHOWN IN THE TABLE.
8. TEST PRESSURE (WORKING + SURGE) ABOVE 300psi WILL REQUIRE SPECIAL BLOCKING DESIGN.
9. A HIGH-EARLY MIX SHALL BE USED AND SHALL BE ALLOWED TO CURE A MINIMUM OF 4 HOURS PRIOR TO BACKFILLING.

BEND TYPE	PIPE DIAMETER INCH	THRUST BLOCK DIMENSIONS			
		D	E	F	G
1/32 [11 1/4°]	4, 6 AND 8	1'-6"	1'-6"	0'-8"	1'-0"
	10, 12 AND 14	2'-6"	2'-6"	1'-0"	1'-0"
1/16 [22 1/2°]	4, 6 AND 8	1'-9"	1'-6"	0'-8"	1'-0"
	10 AND 12	3'-6"	2'-6"	1'-0"	1'-3"
	14	5'-3"	2'-6"	1'-0"	2'-0"
1/8 [45°]	4, 6 AND 8	2'-8"	2'-0"	0'-8"	1'-0"
	10	7'-0"	2'-0"	1'-0"	3'-0"
	12	7'-0"	3'-0"	1'-0"	3'-0"
	14	7'-0"	3'-6"	1'-0"	3'-0"
1/4 [90°]	4	2'-6"	1'-6"	0'-8"	1'-3"
	6	5'-0"	2'-0"	1'-0"	2'-6"
	8	6'-0"	3'-0"	1'-0"	2'-6"
	10	8'-0"	3'-0"	1'-3"	3'-6"
	12	10'-0"	3'-6"	1'-6"	4'-3"
	14	11'-0"	4'-0"	2'-0"	4'-6"



PLAN



SECTION A-A

CHARLES COUNTY GOVERNMENT

DEPARTMENT OF PLANNING & GROWTH MANAGEMENT

APPROVED:

[Signature] 6/29/95
 DIRECTOR OF DEVELOPMENT SERVICES DATE
[Signature] 6/29/95
 WATER / SEWER ENGINEER DATE

STANDARD DETAIL

THRUST BLOCKS
 FOR
 HORIZONTAL BENDS

REVISIONS:

B
 1.00

84