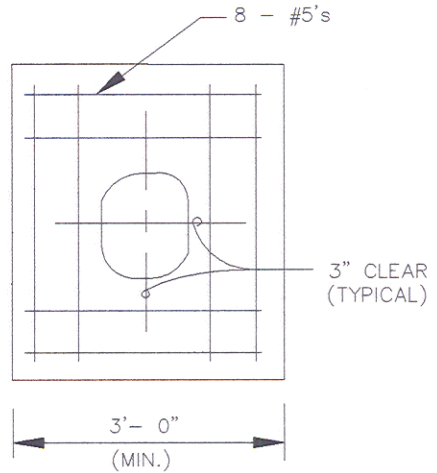


ELEVATION
SCALE: 1/2"=1'- 0"



SECTION A-A
SCALE: 1/2"=1'- 0"

CONCRETE ANCHOR
FOR 6", 8", 10", & 12" CAST AND
DUCTILE IRON AND PVC PIPES

- NOTES:
1. $f_c = 4000$ PSI @ 28 DAYS.
 2. ALL REINFORCING STEEL TO BE ASTM A-615 GRADE 60.
 3. CARRY ALL BEARING SURFACES TO FIRM SUBGRADE. PLACE CONCRETE ANCHOR AGAINST DOWNGRADE SIDE OF BELL.
 4. UTILIZE A LAYER OF ROOFING PAPER BETWEEN PIPE AND CONCRETE.

<p>CHARLES COUNTY GOVERNMENT DEPARTMENT OF PLANNING & GROWTH MANAGEMENT</p> <p>APPROVED: <i>[Signature]</i> 6/29/95 DIRECTOR OF DEVELOPMENT SERVICES DATE</p> <p><i>[Signature]</i> 6/29/95 WATER / SEWER ENGINEER DATE</p>	<p>STANDARD DETAIL</p> <p>CONCRETE ANCHOR</p>	<p>REVISIONS:</p> <table border="1"> <tr><td> </td></tr> <tr><td> </td></tr> <tr><td> </td></tr> <tr><td> </td></tr> </table>					<p>B</p> <hr/> <p>1.08</p>