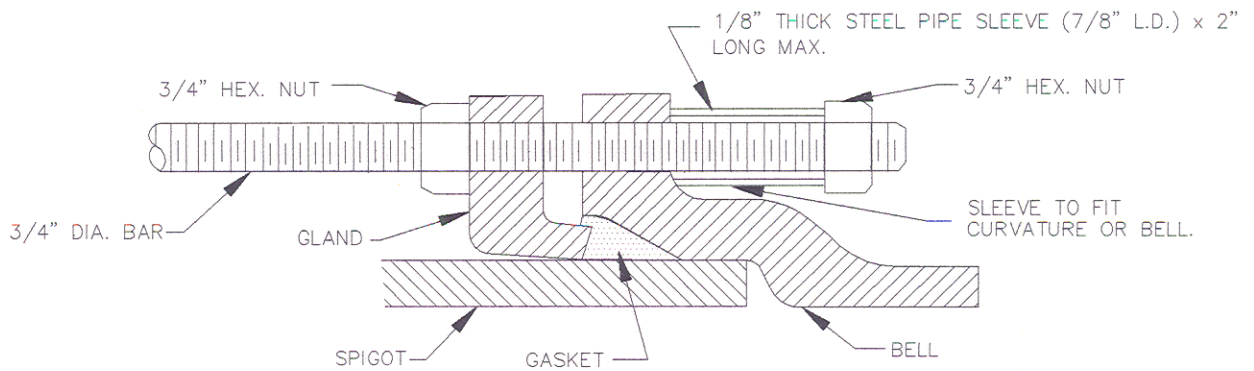
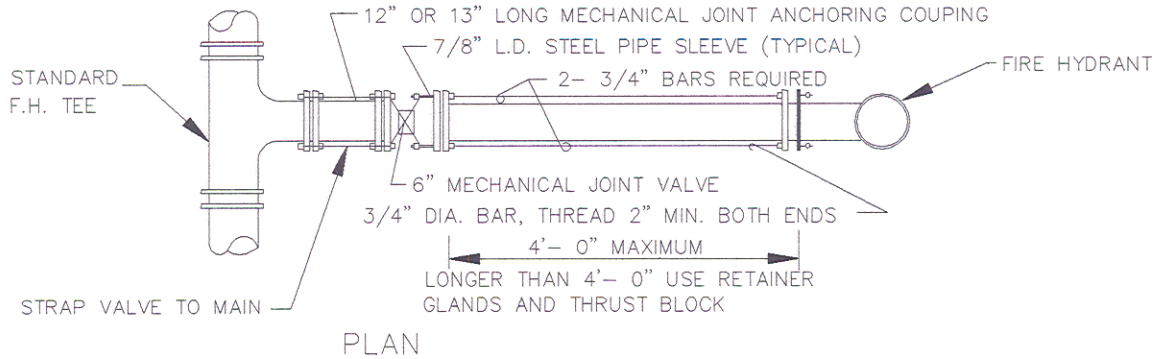


OPTION TO USE OF ANCHORING COUPLING



CROSS SECTION SLEEVE AND BAR ASSEMBLY

NOTES:

1. USE MECHANICAL JOINT FITTINGS ONLY.
2. PAINT BARS AND APPURTENANCES WITH 2 COATS OF BITUMINOUS PAINT.

CHARLES COUNTY GOVERNMENT

DEPARTMENT OF PLANNING & GROWTH MANAGEMENT

APPROVED:

[Signature] 6/29/95
DIRECTOR OF DEVELOPMENT SERVICES DATE

[Signature] 6/29/95
WATER / SEWER ENGINEER DATE

STANDARD DETAIL

METHODS OF STRAP-
PING FIRE HYDRANT
TO MAIN

REVISIONS:

B
2.01