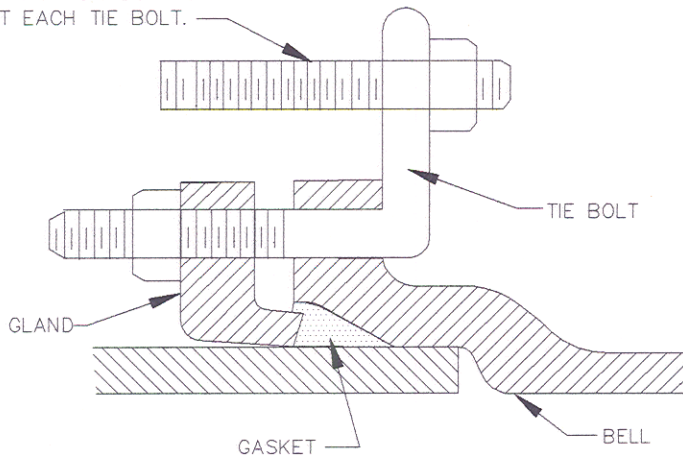


PLAN

3/4" DIA. BARS, THREAD  
8" MINIMUM BOTH ENDS  
AT EACH TIE BOLT.



CROSS SECTION BOLT  
ASSEMBLY

NOTES:

1. USE MECHANICAL JOINT FITTINGS ONLY.
2. PAINT BARS AND APPURTENANCES WITH 2 COATS OF BITUMINOUS PAINT.
3. FOR NO. OF REQUIRED TIE BOLTS, SEE DETAIL B/2.03.

CHARLES COUNTY GOVERNMENT

DEPARTMENT OF PLANNING & GROWTH MANAGEMENT

APPROVED:

*[Signature]* 6/29/95  
DIRECTOR OF DEVELOPMENT SERVICES DATE

*[Signature]* 6/29/95  
WATER / SEWER ENGINEER DATE

STANDARD DETAIL

ALTERNATE METHOD OF  
STRAPPING VALVE TO  
HYDRANT WITH TIE BOLT

REVISIONS:

B  
2.02

95